

## OUTSIDE PLANT PRODUCTS

### Sno-Shoes®



The Multilink Plastic Sno-Shoe® has been designed with two purposes in mind. The first is to store additional lengths of fiber along the strand for later use. The second is to act as a safeguard, protecting the minimum bend radius of the fiber optic cable while establishing proper installation practices. The Multilink Plastic Sno-Shoe® is a durable and cost effective tool for storing fiber optic cable in the air!

### Features

- The plastic material design makes the Sno-Shoe® non-conductive.
- Built-in user friendly design features include:
  - 1) Countersunk nut wells for easy one tool installation.
  - 2) The captive design of the Patented Cable Trough™ allows the installer to simply lay the cable in the trough, leaving both hands free to secure the cable unit.
  - 3) Stackability: The plastic Sno-Shoe® can be stacked in multiple cable configurations to accommodate additional fiber mount tiering.
  - 4) The multiple slots in the Patented Cable Trough™ allow you to secure the cable with either heavy duty tie-wraps or stainless steel straps. These slots also allow you to secure additional cable to the unit in expansion situations without having to remove any of the previously installed cable from the unit and also allows for water and ice drainage.

### Benefits

Why use the Plastic ADSS Sno-Shoe®?

- Prevents microbends in fiber optic cable
- Provides consistency and regularity in fiber optic loops
- Solution to spacing problems on poles
- Eliminates costly storage vaults.
- Will not harm fibers
- 20 year pro-rated Warranty
- RUS Listed

Order From:



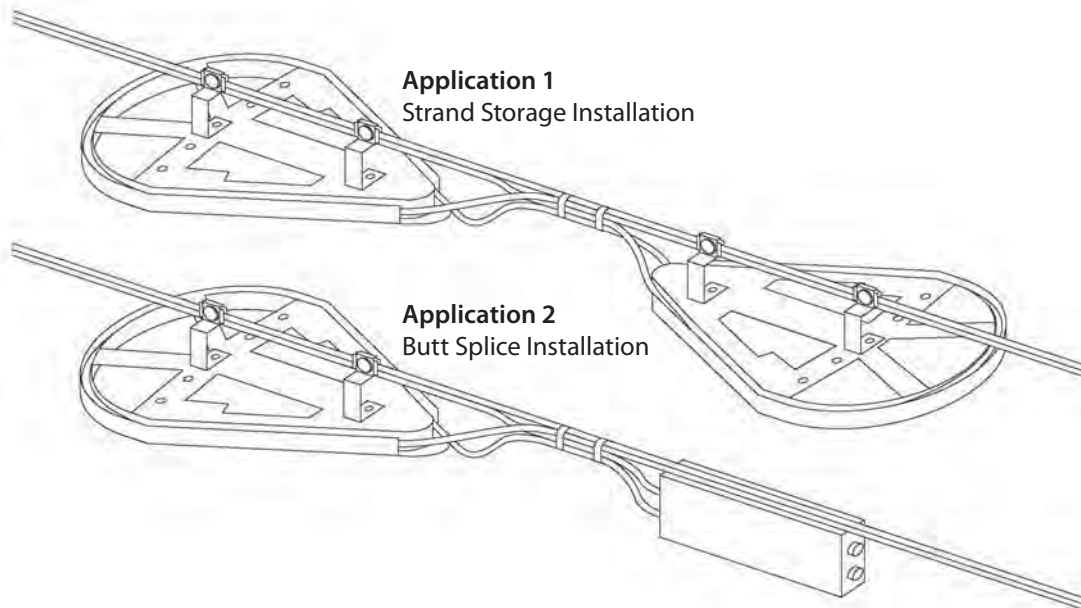
Toll Free: 800-423-2594  
www.multicominc.com  
multicom@multicominc.com

## OUTSIDE PLANT PRODUCTS

# Sno-Shoes®

### Installation Applications

Two typical applications for the Multilink Plastic Sno-Shoe® are illustrated below



Patent # 5408571 / Patent # D450,0425

### Material / Application Specifications

- Outstanding low temperature characteristics, low temperature impact to -40° F
- Excellent coefficient of deflection factor, the molecular structure stays constant throughout every stage of the climate extremes
- 100% carbon filled: UV light will not degrade the impact characteristics. Will not fade due to exposure to UV light

Stock ID	Description	Dimensions	Wt. Lbs.	UOM
71211K	2110-SSPTB 10" Plastic Sno-Shoe with Mounting Bracket and Hardware	10"	5.0	Each
71244K	2116-SSPTB 16" Plastic Sno-Shoe with Mounting Bracket and Hardware	16"	6.0	Each
71221K	2121-SSPTB 21" Plastic Sno-Shoe with Mounting Bracket and Hardware	21"	8.0	Each
71301K	Stacking Kit Option for Plastic Sno-Shoe	-	-	Each

Order From:



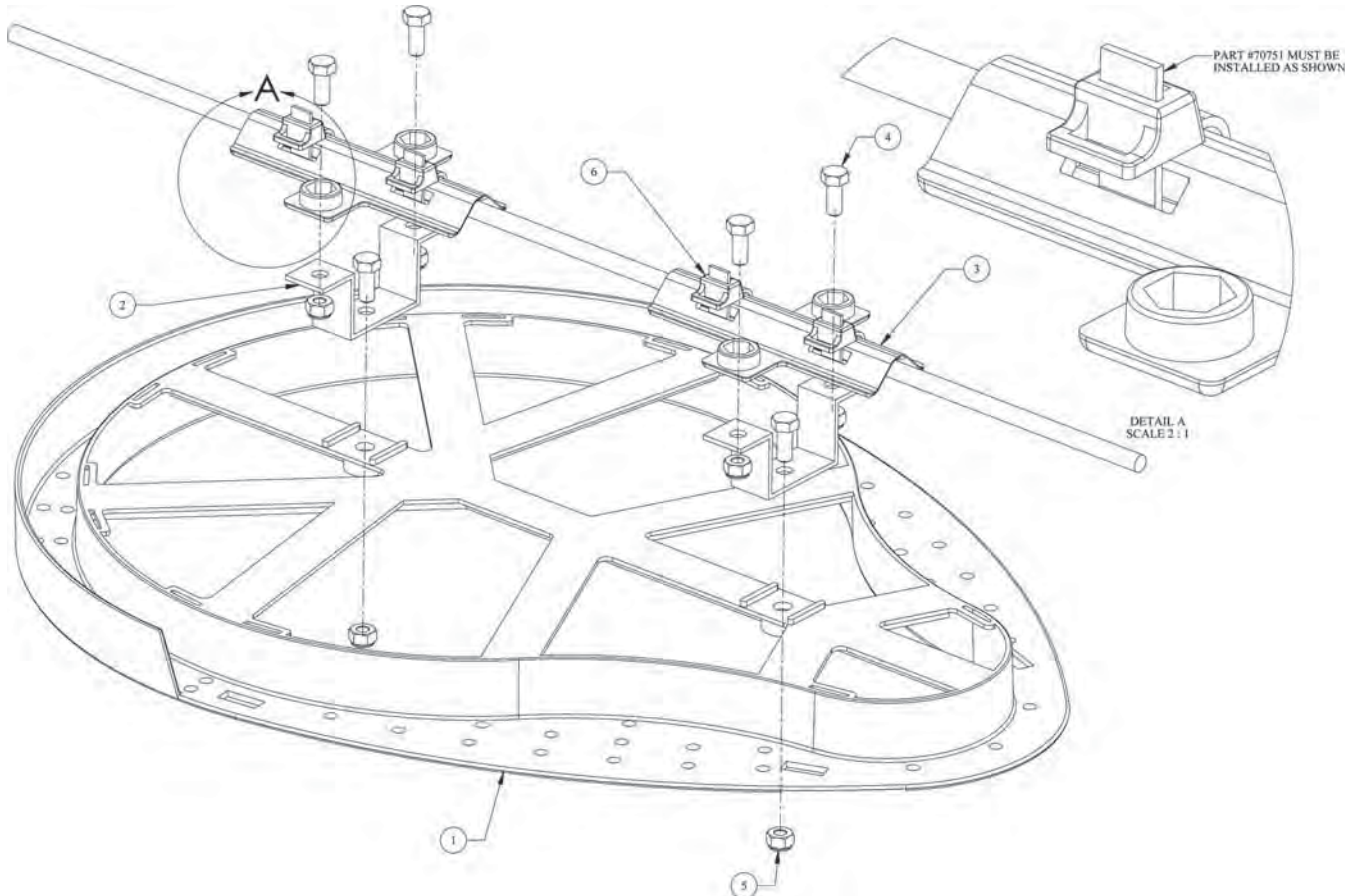
Toll Free: 800-423-2594  
[www.multicominc.com](http://www.multicominc.com)  
[multicom@multicominc.com](mailto:multicom@multicominc.com)

## OUTSIDE PLANT PRODUCTS

# ADSS Sno-Shoes®

### Installation Applications

Installation of the ADSS Cable is illustrated below



(ADSS Saddle brackets shown mounted to Sno-Shoe® for illustration only)

### Material / Application Specifications

- Outstanding low temperature characteristics, low temperature impact to -40° F.
- Excellent coefficient of deflection factor, the molecular structure stays constant throughout every stage of the climate extremes.
- 100% carbon filled, UV light will not degrade the impact characteristics. Will not fade due to exposure to UV light.

Patent # 5408571 / Patent # D450,0425

Stock ID	Description	Dimensions	Wt. Lbs.	UOM
71220K	2110-SSPSS 10" Plastic Sno-Shoe with ADSS Mounting Bracket and Hardware	10"	5.0	Each
71215K	2116-SSPSS 16" Plastic Sno-Shoe with ADSS Mounting Bracket and Hardware	16"	6.0	Each
71226K	2121-SSPSS 21" Plastic Sno-Shoe with ADSS Mounting Bracket and Hardware	21"	8.0	Each
71301K	2111-SSPK Stacking Kit for Plastic Sno-Shoe	-	2.0	Each

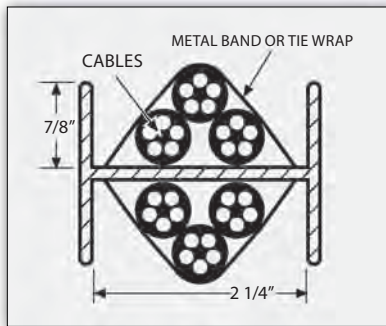
Order From:



Toll Free: 800-423-2594  
 www.multicominc.com  
 multicom@multicominc.com

## OUTSIDE PLANT PRODUCTS

### Adjustable Sno-Shoes®



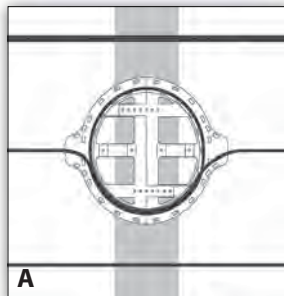
24" is dual sided for more storage



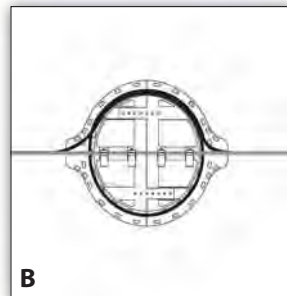
Optional 18 and 48-inch extensions are available



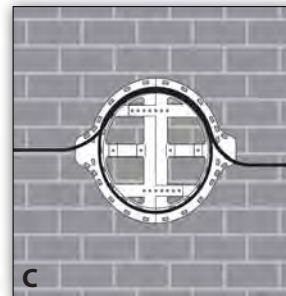
Shown with extensions installed



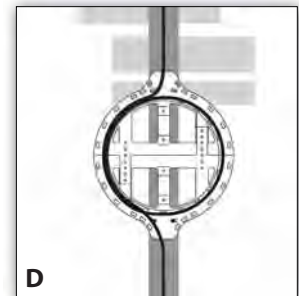
Pole Mount



Strand Mount



Wall Mount



Rack Mount

	16"	24"
Radii	8"	12"
Length	25"	36.5"
Channel Width	2"	2.25"
Channel Depth	2"	.875"

Stock ID	Description	Dimensions	Wt. Lbs.	UOM
A 71240K	2116-SAPTBP 16" Plastic Adjustable Sno-Shoe Pole Mount Version w/ 6' Unistrut	16"	6.0	Each
A 71261K	2124-SAPTBR 24" Sno-Shoe with Pole Mounting Kit	24"	9.0	Each
B 71255K	2116-SAPTBS 16" Plastic Adjustable Sno-Shoe with Strand Mount Hardware	16"	6.0	Each
B 71225K	2116-SAPSS 16" Plastic Adjustable Sno-Shoe with ADSS Hardware	16"	6.0	Each
B 71258K	2124-SAPTBR 24" Sno-Shoe with Strand Mounting Kit	24"	9.0	Each
C 71236K	2116-SAPTBW 16" Plastic Adjustable Sno-Shoe Wall Mount Version	16"	6.0	Each
C 71263K	2124-SAPTBW 24" Sno-Shoe with Wall Mounting Kit	24"	9.0	Each
C 71265K	2124-SAPSS 24" Sno-Shoe with ADSS Mounting Kit	24"	9.0	Each
C 10-7168	18" (46cm) Extensions with Additional Hardware for Adjustable Sno-Shoes	18"	1.0	Pair
C 10-7169	48" (122cm) Extension with Additional Hardware for Adjustable Sno-Shoes	48"	1.0	Pair
C 71301K	2111-SSPK, Stacking Kit	-	-	Each
D 71239K	2116-SAPTBR 16" Plastic Adjustable Sno-Shoe Rack Mount Version	16"	6.0	Each

Order From:



Toll Free: 800-423-2594  
[www.multicominc.com](http://www.multicominc.com)  
[multicom@multicominc.com](mailto:multicom@multicominc.com)

## OUTSIDE PLANT PRODUCTS

### Mini Sno-Shoes®



Stackable for multiple cable storage

Mini Sno-Shoe shown in vault

The Multilink Mini Plastic Sno-Shoe was designed to store slack drop fiber optic cable. This unit can be used aerially, wall mounted, or used in a vault to neatly store excess cable. It protects a minimum bend radius of 3.5" (8.89cm).

#### Features

- The plastic material design makes the Sno-Shoe® non-conductive.
- Built-in user friendly design features include:
  - 1) Countersunk nut wells for easy one tool installation.
  - 2) The captive design of the Patented Cable Trough™ allows the installer to simply lay the cable in the trough, leaving both hands free to secure the cable unit.
  - 3) Stackability: the plastic Sno-Shoe® can be stacked in multiple cable configurations to accommodate additional fiber mount tiering.
  - 4) The multiple slots in the Patented Cable Trough™ allow you to secure the cable with either heavy duty tie-wraps or stainless steel straps. These slots also allow you to secure additional cable to the unit in expansion situations without having to remove any of the previously installed cable from the unit and also allows for water and ice drainage.

#### Benefits

Why use the Plastic Adjustable Sno-Shoe®?

- Prevents microbends in fiber optic cable
- Provides consistency and regularity in fiber optic loops
- Solution to spacing problems on poles
- Eliminates costly storage vaults.
- Will not harm fibers
- 20 year pro-rated Warranty

Patent Pending

Stock ID	Description	Dimensions	Wt. Lbs.	UOM
649-011-20	VASSB 7" Round Sno-Shoe w/ Aerial Mtg Hardware	7"	2.0	Each
649-011-10	VASSB 7" Round Sno-Shoe w/o Hardware ( Vault Application )	7"	2.0	Each
035-069-10	Tap Bracket Kit	-	1.0	Each

Order From:



Toll Free: 800-423-2594  
 www.multicominc.com  
 multicom@multicominc.com