

USER MANUAL

**FIBER DEMARCATION
NID BOX (NID12)**

FIBER DEMARCATION NID BOX (NID12)

Description

The Netceed series of compact, low-profile Demarcation Boxes provide an optical demarcation and interconnection point for G652.D fiber-to-the premises (FTTP) applications. Suitable for indoor or outdoor locations, the housing provides physical protection for the transition between provider and customer, and facilitates easy access system testing.

Fiber entering and exiting the housing can be secured using the internal strain relief supports. Slack cable is held securely using the backplate with integrated slack tray guides. The backplate also incorporates mounting clips for fusion or mechanical splices. The housing is molded from an engineering grade thermoplastic selected to withstand harsh outdoor environments. This housing can be installed on a wall or secured to vertical conduit. Unauthorized access is deterred by the security screw latch. For added security, a lock can be installed on the integrated locking hasp.

Key Features

- Accommodates up to 8 fiber connections
- Provides slack storage for minor repairs and testing
- Can be mounted indoors or outdoors where space is limited
- Secure, weather-resistant housing protects fiber and connections from harsh outdoor environments
- Secured by latch and hasp provision for locking
- Ground lug allows connection for tracer wire
- Customizable cover available



Installation Tools Required

- Fusion Splicer
- Fiber optic cleaver
- Scissors
- Utility knife
- Isopropyl alcohol
- Tissues
- Dry cleaning tool, for connectors
- Cutting pliers
- Drill and drill bits (different sizes)
- Mobile bench
- Labels for identification (optional)
- Measuring tape (optional)
- Levelling tool (optional)
- Labels for identification (optional)
- Phillips head screwdriver
- Fiber decapping tool

Part Numbers - See the Datasheet for Part# Specifications

Model	L70000540	L70000593	L70000539	L70000594	L70000592	L70000595
Adapter / G657A2 Pigtail	-	-	1 / 1	1 / 0	2 / 2	2 / 0

FIBER DEMARCATION NID BOX (NID12)

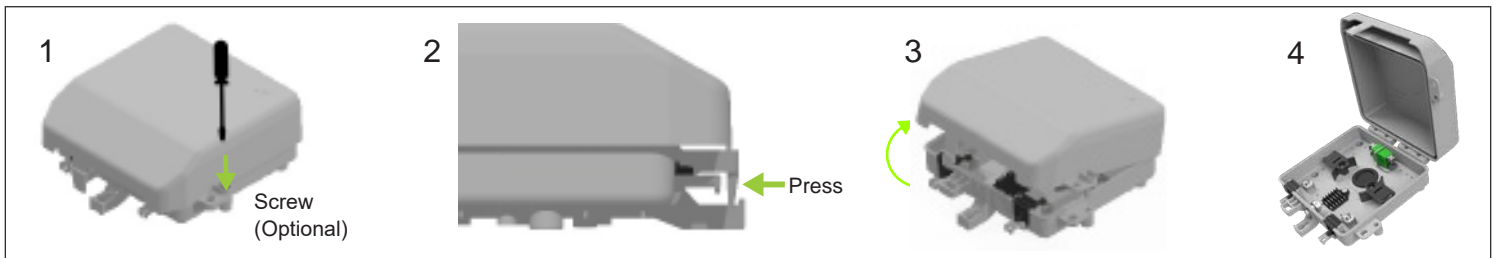
Installation Procedure

1. Preparation before operation

- Ensure that you have all the expected adapters and pigtails for your application
- Keep all accessories dry and clean
- Keep the working place organized, dry and dust free
- Ensure you have all the required tools

2. First step

To easily open the demarcation box, use a screwdriver to remove the cover screw (optional). Press the lock clip to open the cover to access the inside of the box.

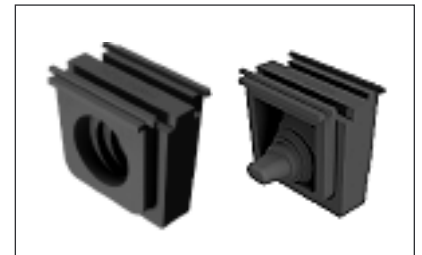


3. Grommets

Drop Cable Grommet

Grommet inserts create a water-tight fit for flat drop cable and round drop cable ranging in diameter from 2.5 - 12mm (0.1" - 0.5"). The grommets protect the contents of the demarcation box from harmful moisture.

The grommet are symmetric and fit perfectly in the base on both sides of the Demarcation Box. The elastic properties of the rubber grommets will adjust to the cable perfectly.



Background Grommet

Located on the back of the Demarcation Box, this grommet is round and up to 25mm in diameter. The purpose of this grommet is to allow the prepared cable to enter the customer premise through the back of the Demarcation Box, if needed.

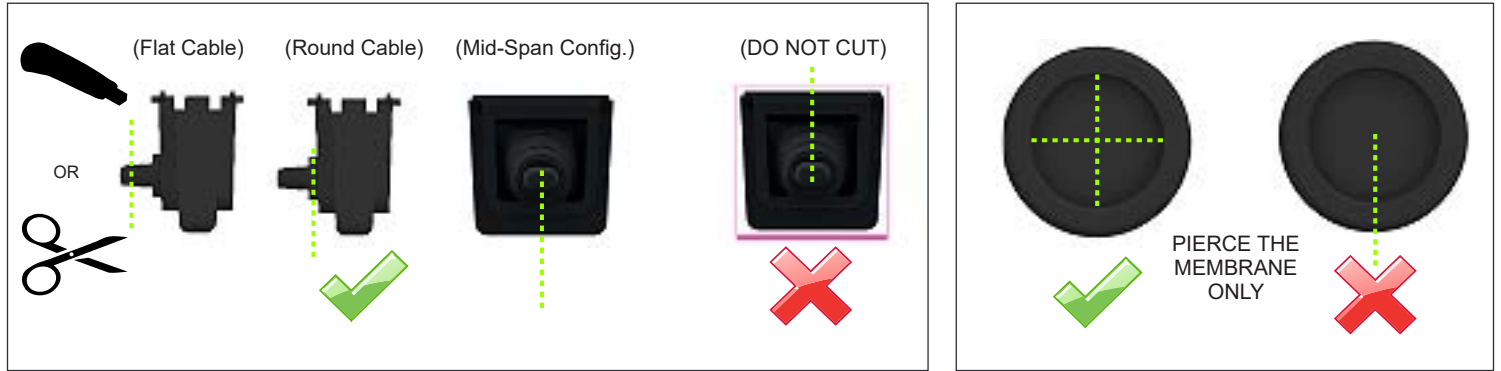


FIBER DEMARCATION NID BOX (NID12)

4. Grommet Preparation

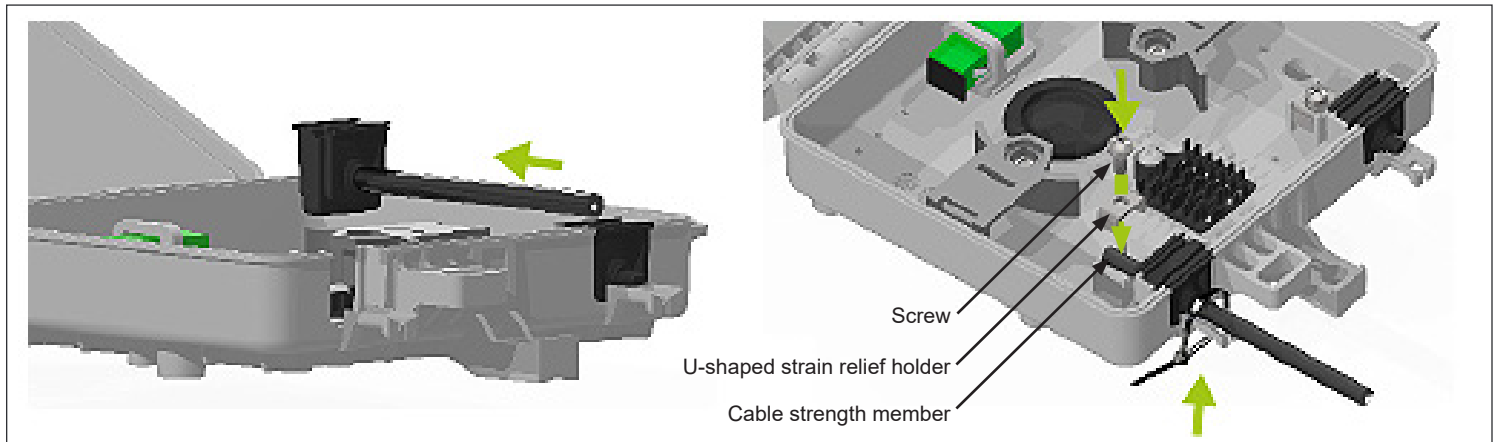
Cut the grommet with the scissor or utility knife to the correct diameter of the drop or round cable. Pay close attention to the illustration below. **DO NOT** cut the top side of the grommet.

Use a tool to carefully pierce the membrane of the rubber grommet to allow passage of the cable. Insert the grommet into the grommet holders on either side of the the Demarcation Box.



5. Cable Preparation

After the grommet is pierced, pass the cable through the grommet and then insert the grommet and the cable into the grommet holder of the demarcation box. Strip the strength member from the cable and secure it under U-shaped strain relief holder. Secured the strength member with the screw to the Demarcation Box.

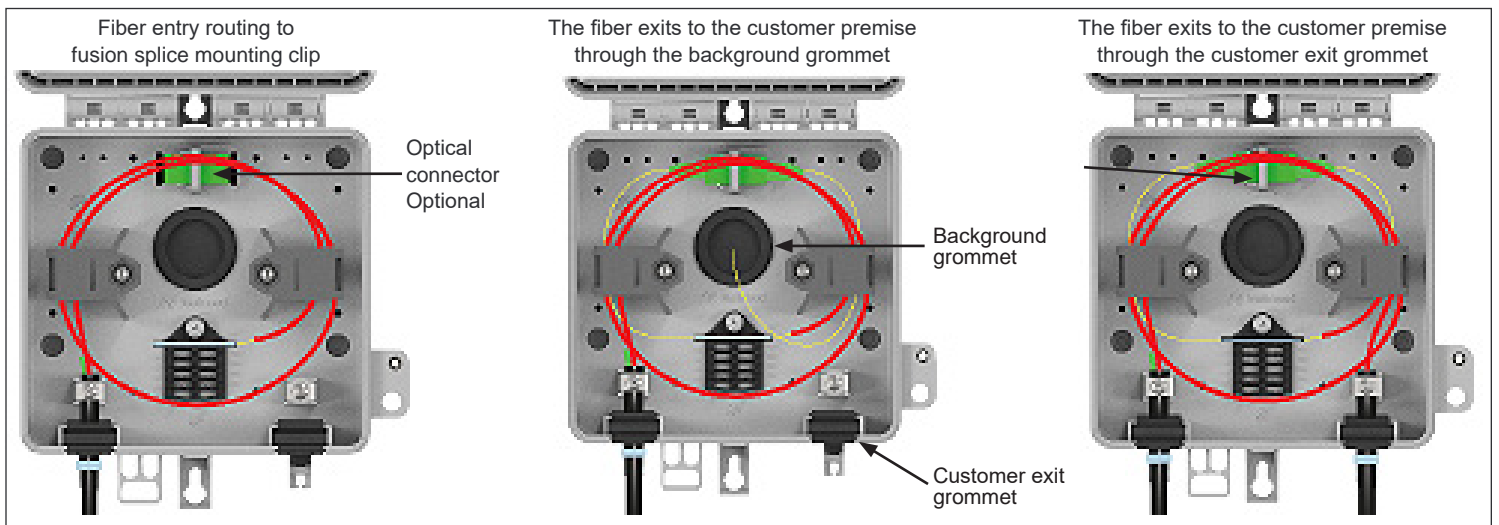
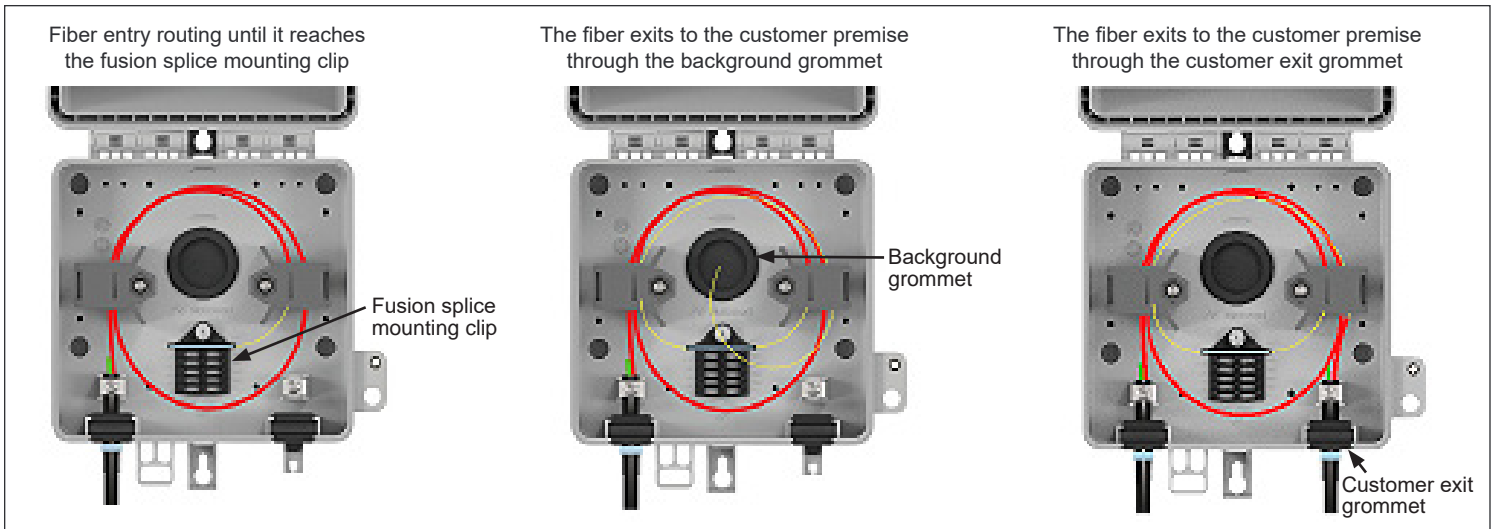
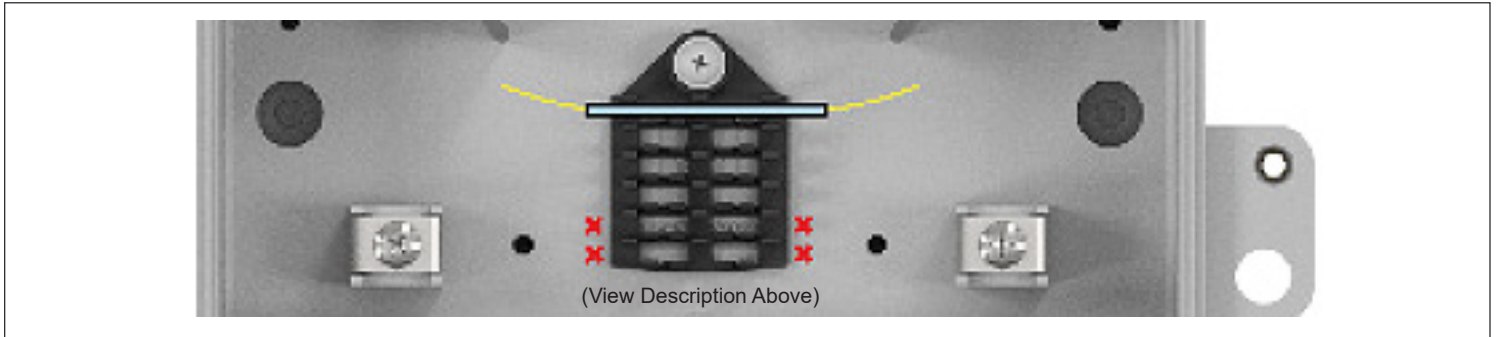


FIBER DEMARCATION NID BOX (NID12)

6. Configuration

Terminal Configuration

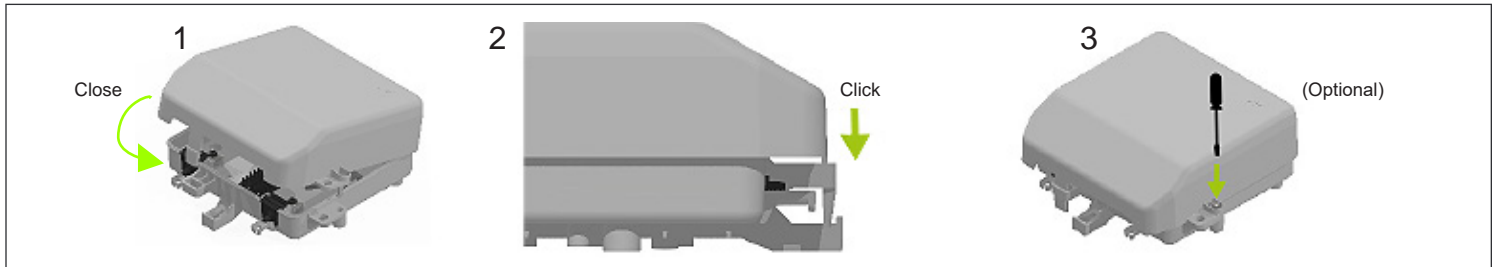
From the top of the fusion splice mounting clip, install 45/60mm fusion splice sleeves with fiber type G.652/G.657.A2 into the fusion splice mounting clips in the first 4 slots. The last 2 slots are for Fiber type G.657.A2 with fusion sleeve of 45mm only.



FIBER DEMARCATION NID BOX (NID12)

7. Enclosure Closing

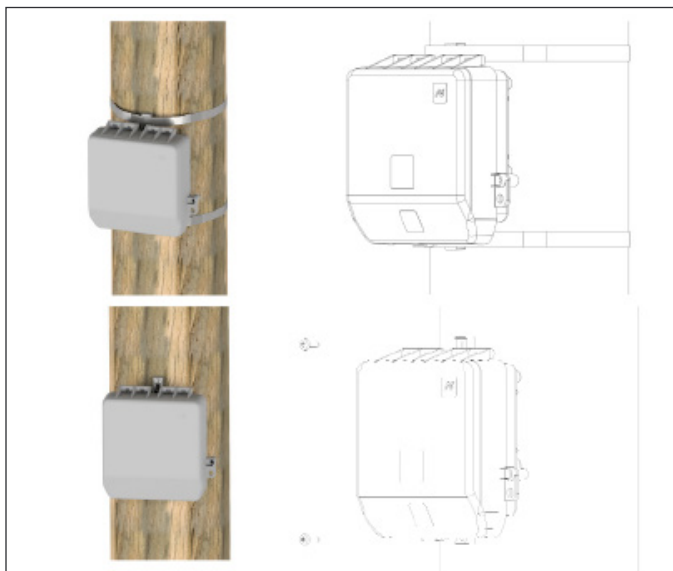
Close the Demarcation Box until it clicks. Use a screwdriver to tighten the screw (optional).



8. Pole and Wall Mounting

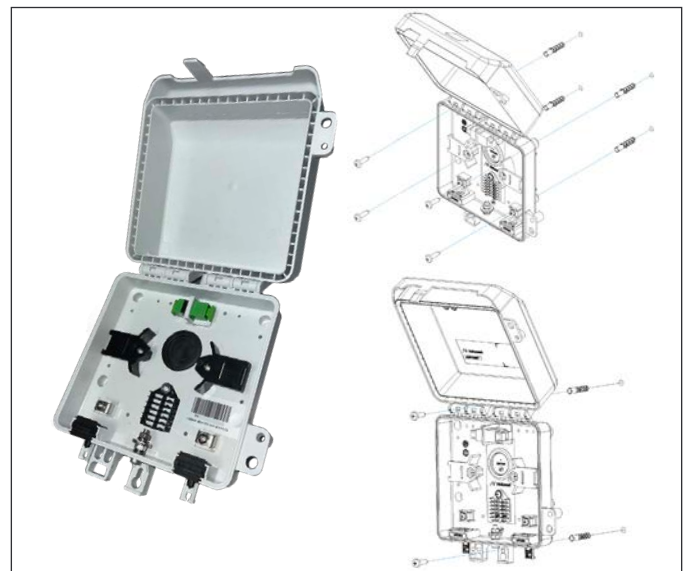
Pole Mount

The Demarcation Box can be pole mounted with screws or with a steel pole band strap



Wall Mount

The Demarcation Box can be wall mounted (optional with 2/4 screws and 2/4 wall plugs with 6m).



9. Final Inspection

After concluding the connection of the fibers and the installation of the equipment:

- Properly label Demarcation Box and installed cables for easy future identification
- Inspect that Demarcation Box mounting, fusion splice sleeves, pigtails, and excess fiber are all secured