



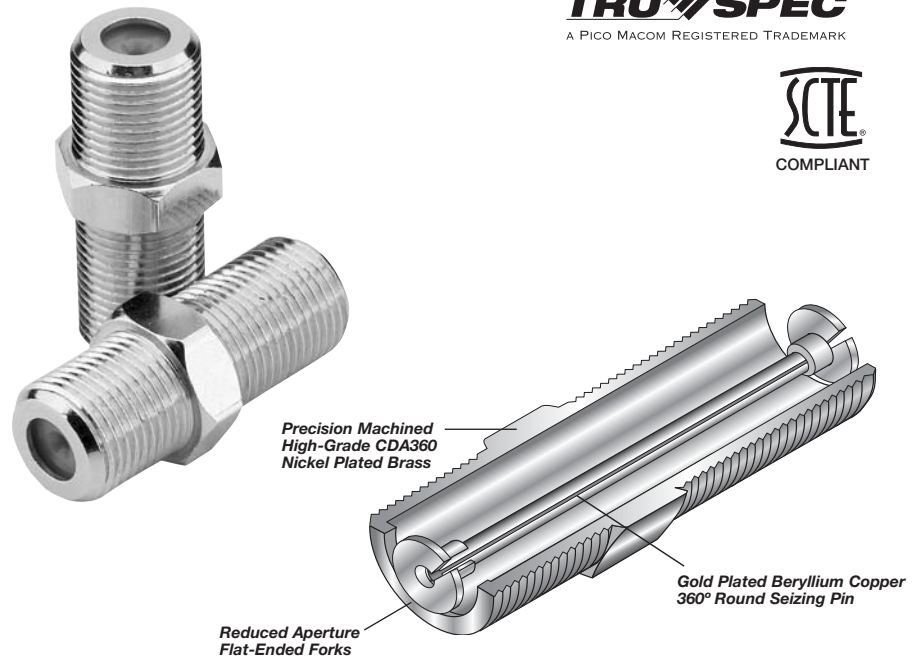
# F81HRL

## 3GHz High Performance F81 Female Splice

- ▶ **Superb Digital-Ready Broadband Performance to 3GHz**
- ▶ **Gold-plated beryllium-copper 360° round seizing pin maximizes center conductor surface contact thereby significantly reducing contact resistance**
- ▶ **Retention force >150 grams typical even after repeated insertions of larger-diameter center conductors**
- ▶ **Reduced aperture flat-ended ports on both ends comply to SCTE/ANSI IPS-SP-407 standard to maximize connector-shield to connector-surface-contact and reduce moisture migration**
- ▶ **Impressive return-loss over -30dB up to 3GHz significantly exceeds SCTE return loss standard**
- ▶ **Less than 0.20dB insertion loss typical to 3GHz provides unsurpassed performance in digital environments**
- ▶ **2µm-thick nickel-plated high-grade CDA360 brass ensures long corrosion-free service life against environmental degradation**
- ▶ **1-inch overall length with precision machined 3/8" 32UNEF threads ensure secure splice-to-connector interface for maximum connectivity**
- ▶ **High 8-Ampere DC continuous current handling capacity**

**TRU/SPEC**™  
A PICO MACOM REGISTERED TRADEMARK

**SCTE**®  
COMPLIANT



# F81HRL

## 3GHz High Performance F81 Female Splice

Manufactured to exacting engineering standards, TruSpec's F-81HRL high-performance F-splice is designed to exceed the most stringent CATV and Satellite requirements of today and tomorrow. This splice guarantees unsurpassed insertion loss and return loss performance beyond 3GHz ensuring the highest quality analog or digital signal transfer. F-port threads are precision machined, ensuring easy connector installation and removal, and improved connector interface. Small aperture flat-ended ports maximize surface contact and provide an effective barrier against moisture migration. High retention 24K gold plated 360° round seizing pins maximize center-conductor surface contact to significantly reduce insertion loss and signal ingress and egress. A thick nickel coating over high-grade CDA360 brass ensures excellent corrosion resistance. Each F-81HRL splice is fully tested at the factory to comply with SCTE's and TruSpec's stringent standards.

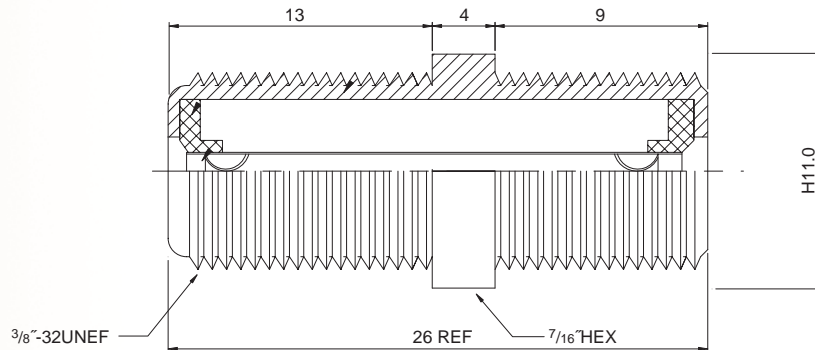
Order From:



Toll Free: 800-423-2594  
www.multicominc.com  
multicom@multicominc.com

# F81HRL

3GHz High Performance F81 Female Splice

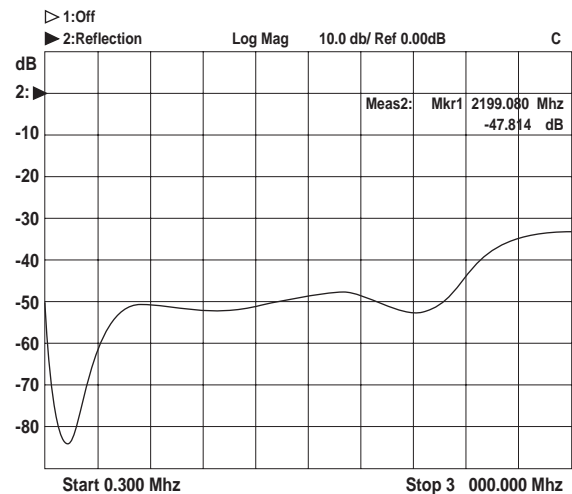


## Specifications

### F81HRL

Male F Thread:	3/8"~32 UNEF
Body Material:	CDA 360 Brass
Body Plating:	Nickel
Insulation Material:	Green Nylon
Contact Material:	Beryllium Copper
Contact Plating:	24K Gold
Impedance:	75 Ohms
Frequency Range:	0-3GHz
Return Loss:	>-30dB

### RETURN LOSS Typical



## Ordering Information

### F81-HRL

Order From:



Toll Free: 800-423-2594  
[www.multicominc.com](http://www.multicominc.com)  
[multicom@multicominc.com](mailto:multicom@multicominc.com)