



Grounding Components

1GHz Ground Blocks

GRB Series

1GHz Single and Dual Path Grounding Blocks – Used to provide CATV service drop grounding – 3/16" Bond Receptacle accepts AWG8 wire - Weather Resistant Zinc-Alloy Die-Cast Housing - Anti-Corrosive Chromate Coating for Lasting Protection – Machine-Threaded F Ports – Includes Mounting Screws

- GRB-1** 1-Port Grounding Block
- GRB-2** 2-Port Grounding Block



Hook Ground Straps

A-280 Series

Adjustable Easy-Install Grounding Straps – Used in grounding of CATV, Satellite or Telephony Service Drops - Electrically bonds AWG10-14 ground wire to water pipes and power service masts to provide a low-resistance ground connection – Adjustable Tension Adjuster for Secure Attachment – Pure Copper or G90 galvanized steel coating meets salt test ASTM-B117

- A-280** 8" Galvanized-Steel Strap for 1/2" – 2" Diameter Pipe
- A-283** 10" Galvanized-Steel Strap for 1/2" – 2-1/2" Diameter Pipe
- A-286** 8" Copper Strap for 1/2" – 2" Diameter Pipe
- A-288** 10" Copper Strap for 1/2" – 2-1/2" Diameter Pipe



Belt Ground Straps

A-24 Series

Adjustable Easy-Install Pure Copper Grounding Straps – Used in grounding of CATV, Satellite or Telephony Service Drops - Electrically bonds AWG10-14 ground wire to water pipes and power service masts to provide a low-resistance ground connection – Adjustable Tension Adjuster for Secure Attachment

- A-24-6** 6" Copper Strap for 1/2" – 2" Diameter Pipe
- A-24-12** 12" Copper Strap for 1/2" – 3" Diameter Pipe

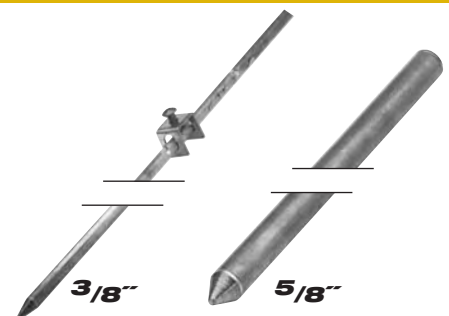


Universal Ground Rods

A-21 Series

Copper-Bonded Steel Ground Rods – High Strength Carbon Steel - Copper coating provides optimum electrical ground connection - Cold Drawn steel for Increased Strength - Conical Point eases soil penetration

- A-21-4** 4' Ground Rod 3/8" Diameter with Hex-Bolt Ground Clamp
- A-21-8** 8' Ground Rod 5/8" Diameter



Order From:



Toll Free: 800-423-2594
www.multicominc.com
multicom@multicominc.com