

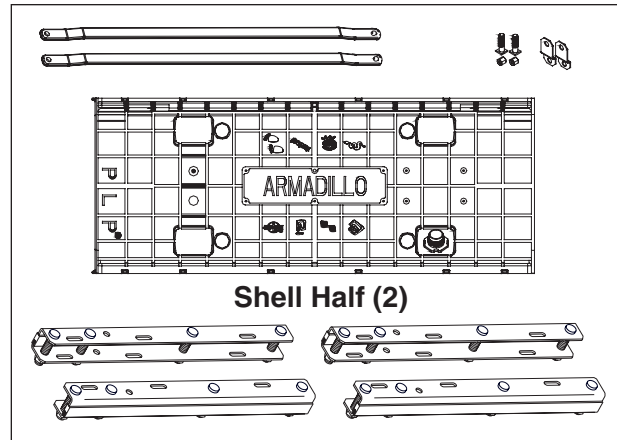
ARMADILLO® Closure Shell Kits

ARMADILLO Closure Shell Kits

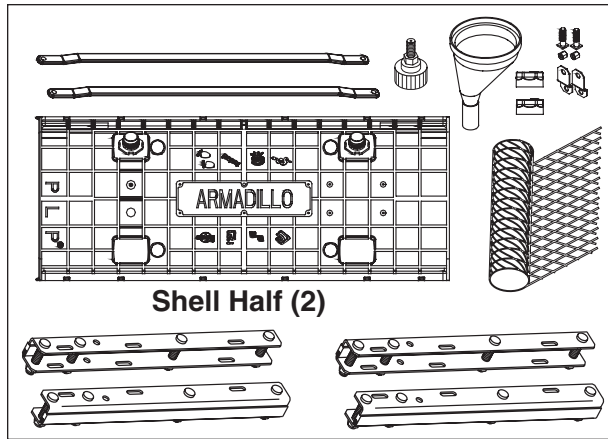
Design Features:

The ARMADILLO Closure Shell features a universal flange assembly, allowing either pressurization or encapsulated applications in one shell design. The closure also boasts a permanent gasket sealing system that requires no kits upon re-entry as well as a captive fastener system similar to the patented LOCKBAR™ fastening system used in the ARMADILLO Stainless design.

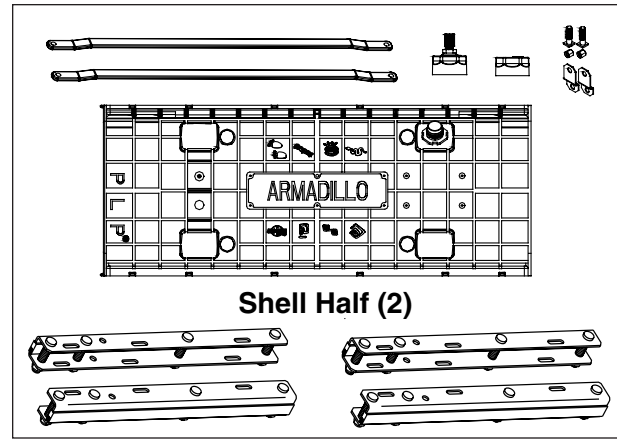
With lightweight plastic shells, the ARMADILLO Closure reduces shipping costs and is easier to handle. Shells also include an area for company identification and description.



Standard Closure Shell Kit



Closure Shell Kit with Filling Flange



Closure Shell Kit with Air Valve

Closure Size (mm)	Catalog Number			Dimensions (mm)				Shipping Weight (kg)
	Blank Shells	Shell w/air valve	Filling Flange Shell	A	B	C	Sheath Opening	
4.0" x 25" (102 x 635)	8006716	8006723	8006730	25.8" (655)	5.4" (137)	7.5" (191)	16.0" (406)	13# (6)
6.5" x 28" (165 x 711)	8006717	8006724	8006731	28.8" (732)	8.0" (203)	10.0" (254)	18.4" (467)	17# (8)
6.5" x 38" (165 x 965)	8006718	8006725	8006732	38.8" (986)	8.0" (203)	10.0" (254)	28.4" (721)	25# (11)
8.0" x 28" (203 x 711)	8006719	8006726	8006733	28.8" (732)	9.8" (249)	11.6" (295)	18.4" (467)	19# (9)
8.0" x 38" (203 x 965)	8006720	8006727	8006734	38.8" (986)	9.8" (249)	11.6" (295)	28.4" (721)	27# (12)
8.0" x 56" (203 x 1422)	8006769	8006770	8006771	57.6" (1463)	9.8" (249)	11.6" (295)	47.3" (1200)	37# (17)
9.5" x 28" (241 x 711)	8006721	8006728	8006735	28.8" (732)	11.4" (290)	13.4" (340)	18.4" (467)	21# (10)
9.5" x 38" (241 x 965)	8006722	8006729	8006736	38.8" (986)	11.4" (290)	13.4" (340)	28.4" (721)	30# (14)
9.5" x 56" (241 x 1422)	8006772	8006773	8006774	57.6" (1463)	11.4" (290)	13.4" (340)	47.3" (1200)	41# (19)

*Shells are welded

