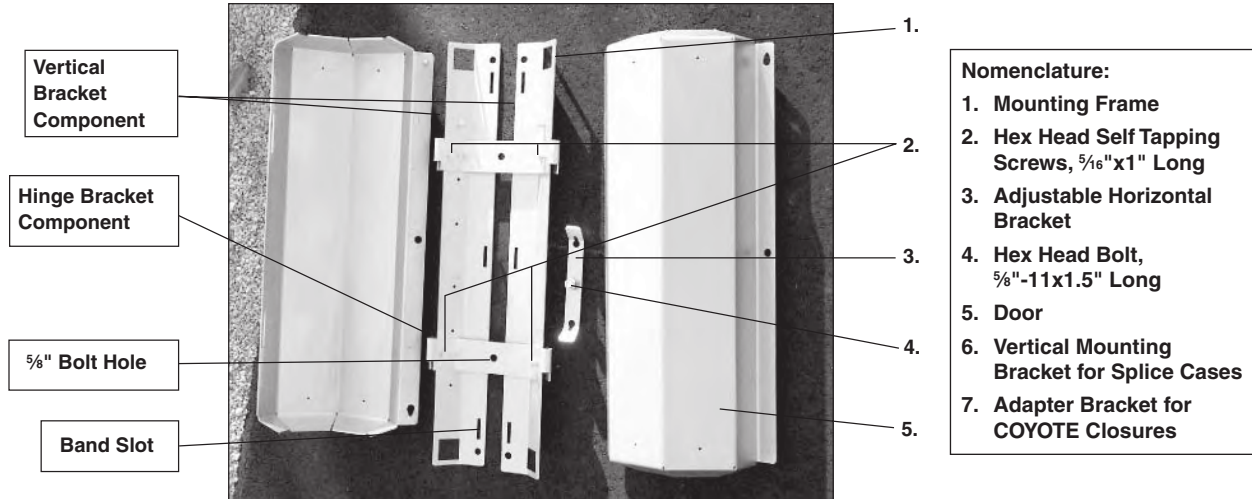


COYOTE® Defender Splice Case & Closure Protection

COYOTE Defender for ADSS or OPGW Fiber Optic Cable

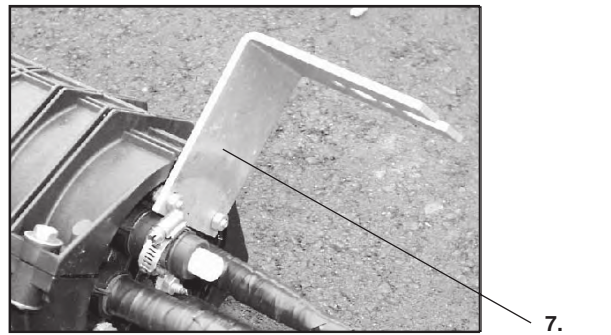
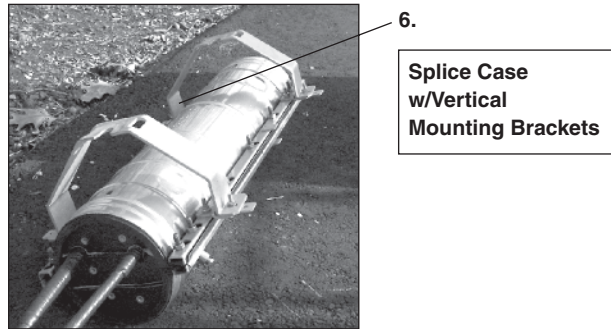


General Information:

The COYOTE Defender provides added protection for a) COYOTE Splice Case sizes 6.5", 8", and 9.5" up to 28" long and b) COYOTE Closure sizes 6.0" and 8.5" - all lengths. The Mounting Frame comes assembled from the factory. Hinge Brackets and Vertical Bracket components are fastened with 5/16"x1" long self tapping screws. The Hinge Brackets are positioned 19" apart to mount the 28" long COYOTE Splice Cases. All other Splice Cases and Closures are accommodated with the Adjustable Horizontal Bracket. Two large doors and the mounting frame surround the closure or splice case and allow easy access for future maintenance or expansion. The frame can be installed first, followed by each door (each door weighs 38#) thus reducing the chore of lifting a bulky steel unit - this makes the Lineman's task manageable and less hazardous.

MOUNTING OPTIONS: The COYOTE Defender can be mounted with thru bolts, DA bolts, or banding. The frame will accept standard 5/8" thru bolts and DA bolts. Use the mounting frame as a template to locate positions for drill through on wood pole structures. Double Arming bolts must not extend 1.5" beyond the Hinge Bracket surface to avoid splice case interference. Banding slots are provided in 6 positions along the frame. The band slots will accept up to 1.5" wide banding. For banding applications, 5/8" x 1.5" bolts are used to provide attachment to the mounting frame.


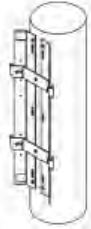
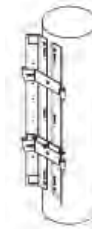
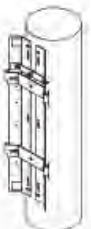
ORDERING INSTRUCTIONS: Two catalog numbers are available, one for COYOTE Splice Case applications, and the other for the COYOTE Closure applications. The Defender kit for the COYOTE SPLICE CASE (#8003491) includes a Vertical mounting bracket kit to hang the case onto the mounting frame of the Defender. Likewise, the Defender kit for the COYOTE Closure (#8003492) includes an adapter bracket kit to hang the closure onto the mounting frame of the Defender.





COYOTE[®] Defender Splice Case & Closure Protection

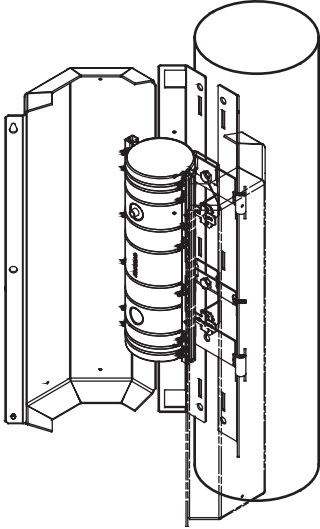
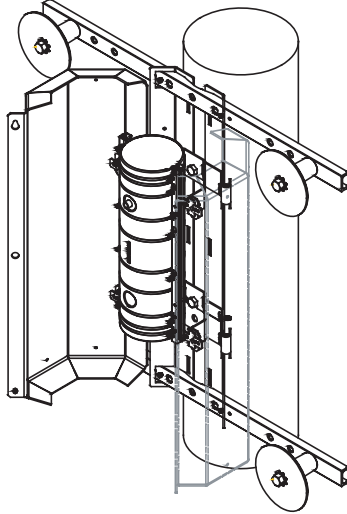
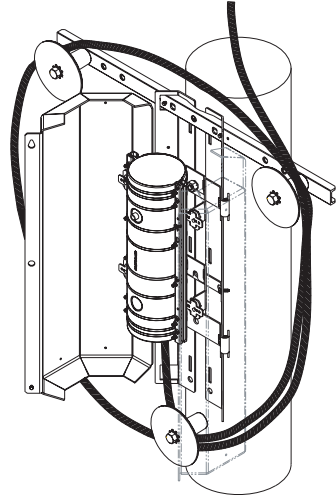
The Adjustable Horizontal Bracket is not required for the 28" long Splice Cases. However this bracket can be positioned on the mounting frame to adapt the other sizes - these positions are listed in the FRAME CONFIGURATION column of the following table.

COYOTE Defender Catalog Numbers And Frame Configuration			
Application		Defender Catalog No.	Frame Configuration
Type	Size (mm)		
COYOTE Splice Case	6.5" X 22" (165 X 559)	8003491	
	6.5" X 28", 8" X 28", 9.5" X 28" (165 X 711, 203 X 711, 241 X 711)	8003491	
COYOTE Closure	6" X 17" COYOTE PUP (152 X 432)	8003492	
	6" X 22", 8.5" X 22" (152 X 559, 216 X 559)	8003492	
<p>Accessories: Vertical Cable Storage Assemblies: 1) Double Arm Configuration: Order 2 ea. Cat. No. 8003493 2) Triple Spool/Single Arm: Order 1 ea. Cat. No. 8003493 and 1 ea. Cat. No. 8003503 3) Banded Triple Spool/Single Arm: Order 1 ea. Cat. No. 8003493 and 1 ea. Cat. No. 8003503b1 Note: The Coyote Defender frame accepts the standard cross arm of vertical cable storage assemblies, 5/16 x 1 self tapping screws lock arms into place.</p>			

COYOTE® Defender Splice Case & Closure Protection

Accessories:

Vertical Cable Storage Assemblies found earlier in this section can be used with the COYOTE Defender. Large rectangular slots at the top and bottom of the mounting frame accept the Cable Storage Cross Arm. Catalog Numbers for suggested configurations #1, #2, and #3 are noted in the table.

COYOTE Defender with and Without Vertical Cable Storage Accessories		
Configuration #1	Configuration #2	Configuration #3
		
Basic Kit	Kit With Two Cable Storage Assemblies	Kit With One Cable Storage Assembly and One Spool
Splice Case not included		