

Female Splice Adapters

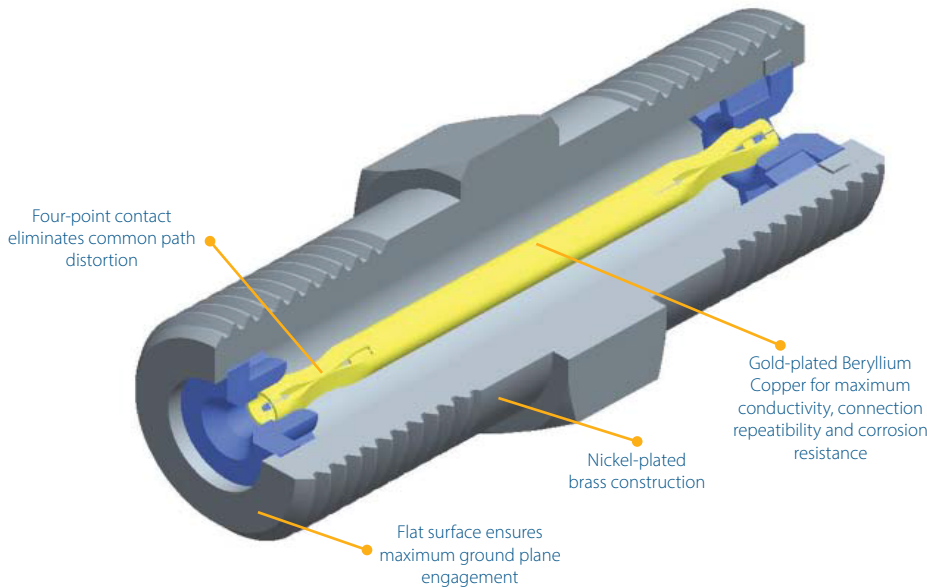
PPC's "F" female splice adapters offer superior corrosion resistance and weather sealing capability. The Gold-plated Beryllium Copper 4-point center conductor contact provides superior conductivity, connection repeatability and corrosion resistance.

Specifications

	RANGE	S.R.L.	I.L.
Bandwidth	0 GHz to 2 GHz	> 30 dB	< .05 dB
	2 GHz to 3 GHz	> 25 dB	< .10 dB
Impedance	75 Ohms (nominal)		
Operating Temperature	-40° F to + 140° F (-40° C to 60° C)		



Features & Benefits



Indoor and outdoor female splice adapters

