



Series DT-1324 Grade Level Buried Cable Enclosure

All Pencell Enclosures are Made In The U.S.A.



- Widely used in Electric, CATV, Telephone, Traffic Signal, and Water Industries
- Base made of high density polyethylene structural foam, available in High Density (green) or Polymer Concrete (gray).
- Available with HDPE plastic lid, 2" polymer concrete lid or 1 1/4" polymer concrete lid and polymer concrete ring. 3" top extensions provide additional depth.
- All hardware is stainless steel
- Rigid enclosure and covers are easy to handle
- USDA RUS accepted. Tested for compliance with ANSI/SCTE 77, Western Underground Guide 3.6 and Telcordia GR-902. Load Testing per ANSI/SCTE 77 2010 as specified by N.E.C. ANSI C57 Enclosure Integrity.
- Load Rating for units with polymer concrete lids is Tier 15, 20,000 Lbs.

Purchase from:



800-423-2594
www.multicominc.com



Series DT-1324 Grade Level Buried Cable Enclosure

To order complete units
(enclosure and covers):

DT-2-1324PC

Enclosures with 2" polymer
concrete lid (no ring)

DT-1324PC

Enclosures with polymer
concrete lid and polymer
concrete ring

DT-1324HD

Enclosures with high density
polyethylene lid

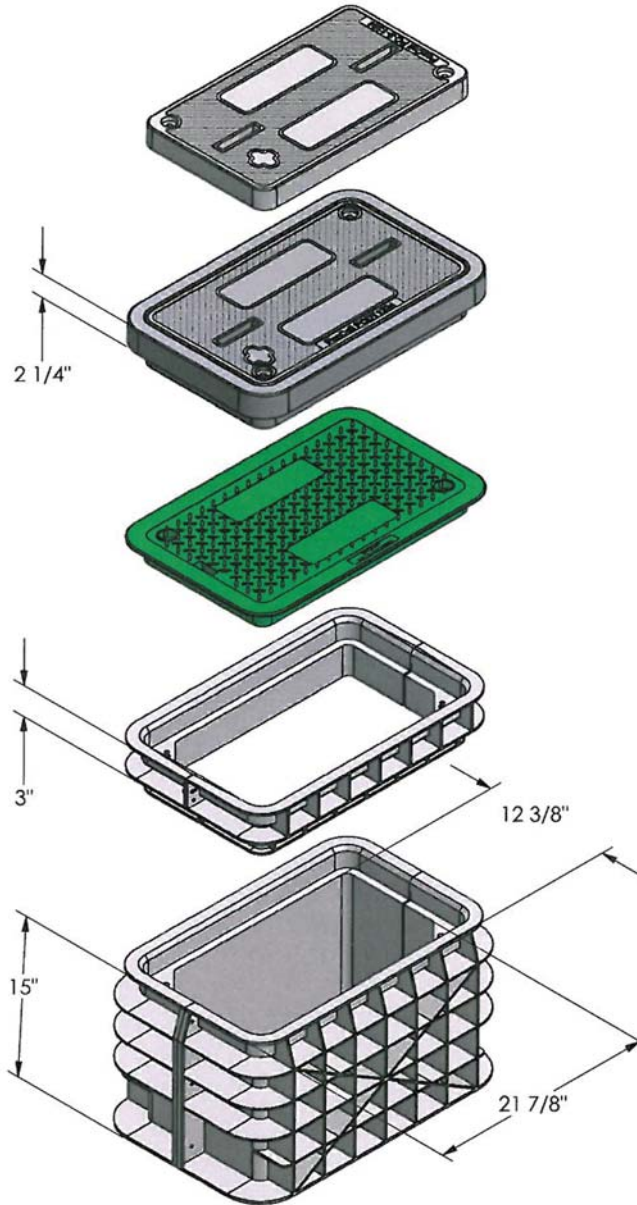
TOP EXTENSIONS

Extensions are available for
all three lid options. Call for
specifics and part numbers.

To Order Identification:

(BLA) Blank lid
(EWB) Electric Warning
(CAT) CATV
(TEL) Telephone
(WAT) Water
(COM) Communications
(IRR) Irrigation
(FOC) Fiber Optic Cable
(STL) Street Lighting
(TRA) Traffic Signal

Custom Logos Available



To order Locking Options:
Standard (H) Hex Head Bolts
Options: (X) 3/8-16 Penta Head Bolts

Color Options:
Ground sleeves available in Green or Gray Molded in Color
Green (standard for HD series) Gray (standard for PC series)

To order individual covers
and ground sleeves:

DT-2-1324PCL

2" Polymer concrete lid only
Weight 43 Lbs.

DT-1324PCLR

Polymer concrete lid and ring
Weight 65 Lbs.

DT-1324PL

HDPE Plastic Top Extension
Weight 6 Lbs.

DT-1324-3EXT

3" Plastic Top Extension
Weight 5 Lbs.

To order various bases:

DT-1324GS (green)

DT-1324GS-Y (gray)

Weight 20 Lbs.

Purchase from:



800-423-2594

www.multicominc.com