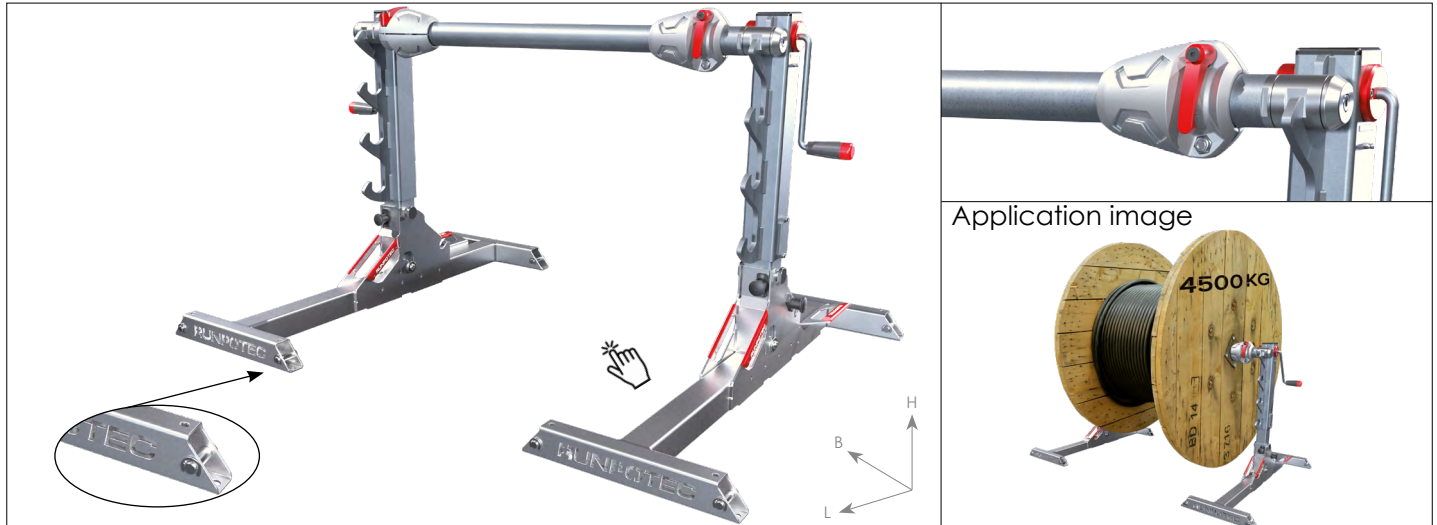


# DATA SHEET

## RUNPOLIFTER 4500 - L1600

Drum lifter up to 4500 kg - drum Ø 1600 mm - wide 1250 mm

Item no: **10164**



Application image



Optional wheels:

Item no: 20711

Optional drum shaft:

Length 1150 mm - Item no: 20692

Length 1350 mm - Item no: 20693

Scope of delivery

DATA	
ITEM NO	<b>10164</b>
TOTAL WEIGHT	61,90 kg
DIMENSIONS	when opened: L 1000 x W 400 x H 750 mm when closed: L 1220 x W 400 x H 245 mm
LENGTH	Drum shaft 1600 mm
MAX. DRUM WEIGHT	Drums up to max. 4500 kg
EAN-Code	9120045476460

### ADVANTAGES

- ✓ **Foldable**
- ✓ **Compact and easy to transport**
- ✓ **Only 22 kg per support plus 11 kg for the shaft**  
**High weight saving**
- ✓ **Drum shaft Ø 54 mm with integrated heavy duty plain bearing - Stainless steel security mount**
- ✓ **Lifts drums up to max. 4500 kg and max. Ø 1600 mm**
- ✓ **No additional pinning of the lifted load necessary**

### DESCRIPTION

The RUNPOLIFTER 4500 is a foldable cable drum lifter that is capable of lifting drums with a maximum diameter of 1600 mm and a maximum weight of 4500 kg. Its lightweight construction (22 kg per lifting support) means it can be easily transported, yet it still maintains excellent standing properties on a wide variety of floor coverings. The two lifting supports are equipped with a 2-stage gearbox. The fast gear is used for the idle stroke and the working gear is used for the load stroke. Switching between the two gears can be controlled by pulling out the crank. When using the RUNPOLIFTER 4500, it is not necessary to pin the raised load because the gearbox is equipped with a self-locking spindle. The included drum shaft features two plain bearings that enable the respective drum to be rolled comfortably without any trouble. The 1600 mm drum shaft is included. The following lengths are also available: 1150 mm or 1350 mm. The two included centering cones each have a quick-release fastener that enable the drum to be fixed quickly and centrally in place. Drums with a max. inner diameter of Ø 115 mm can be secured here.

**OPTIMUM AREA OF APPLICATION:** for lifting and then rolling cable drums with a diameter of up to 1600 mm, wide of 1250 mm and a max. weight of 4500 kg

**Scope of delivery:** 2 x lifting supports - RUNPOLIFTER 4500, 1 x drum shaft 1600 mm and 2 x centering cones

### INFORMATION

**Use with:**  
**Capstan winch CW 800 E**  
Item no: 10138

**RUNPOLIFTER 4500 -**  
Length 1150 mm/1350 mm  
Item no: 10162 / 10163

**Glass fibre rods Ø 7,5mm - 15 mm**  
Length of 40 to 400 metres