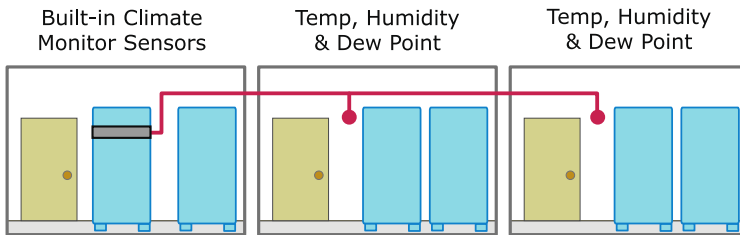


RTHD (Remote Temperature, Humidity & Dew Point) is a combo sensor that provides multiple environment readings in a compact package.

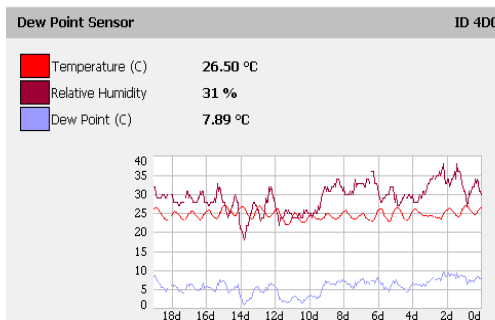
- Measure temperature, humidity & dew point
- Accurate and compact
- Compatible devices support up to 16 sensors
- Get alerts via email or SNMP

Built to monitor computer cabinets or server room conditions, the RTHD contains sensors for measuring temperature, relative humidity and dew point. Ensure that your equipment is not overheating by tracking temperature. Prevent damage by condensation or static electricity using humidity and dew point readings.



Monitoring several server rooms with a Goose and RTHD sensors.

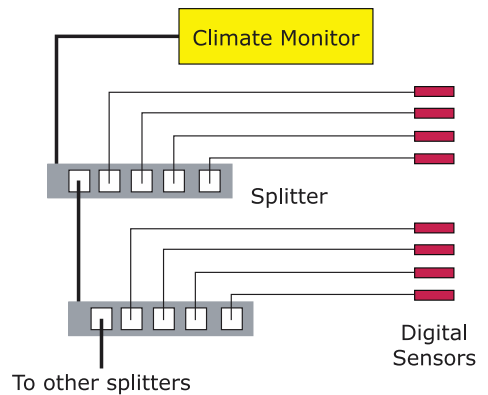
Like other digital sensors, the RTHD sensors communicate with a Goose climate monitor through a serial protocol. When the sensor is plugged into a digital sensor port, the monitor automatically detects and determines the type. Each sensor can be given a “friendly” name to make it easier to identify. Sensor readings are collected, logged and graphed by the Goose, along with alarm configuration. Receive alerts from the monitor via email or SNMP trap. Some units can also trigger an audible alarm or energize an output relay in response to an alarm.



Graph and sensor data for a combo RTHD sensor



A plastic tube contains the sensors and supporting electronics. Connects to the digital sensor port of a Goose.



Daisy-chain splitters to increase the number of available digital sensor ports.

Device Details

Specifications

Temperature: -40 to 85 °C, +/- 0.5 °C
Humidity: 0 to 100% RH, +/- 5% RH
Cable type: Cat-3 with RJ-12 connector
Cable length: 12', 20', 50', 100' or custom
Warranty: 1 year (extended warranties available)

Compatibility

Works with all climate/power monitors with digital ports
Climate monitors support up to 16 digital sensors
Max combined cable length of digital sensor is 600'

Model Numbers

RTHD-#: # = cable length (feet)
RTHD-12, RTHD-20, RTHD-50, RTHD-100

