

*This smoke alarm has a built-in interface for use with a Goose.*

- Detect smoke in your server room
- Wiring allows smoke alarms to trigger as a group
- Connects to a Goose via Analog Input or CCAT
- Receive alerts through email or SNMP

This kit combines a standard Kidde smoke alarm with an analog sensor interface for connecting to a Goose climate monitor. If smoke is detected the audible alarm will sound and Goose can then send you an alert. The SA-1 is wired and assembled, ready for installation.

The smoke alarm is powered by 120VAC line voltage and contains a 9V battery for backup in the case of power failure. The interface box is attached to the smoke alarm and provides a power cable and signal wires to connect to the climate monitor.

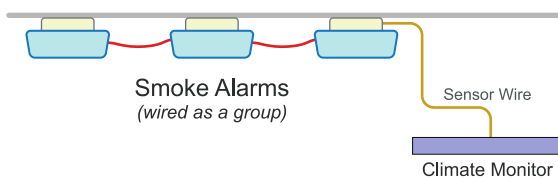
## GROUP WIRING

This type of smoke alarm can be daisy-chained with other smoke alarms to form a group. If any sensor detects smoke then all smoke alarms are triggered, along with climate monitors connected through an interface box.

## CONNECTING TO THE GOOSE

The smoke alarm can be wired directly to an Analog Input on the Goose. If an Analog Input isn't available, another option is to use a CCAT analog-to-digital interface to connect the sensor to a digital sensor port.

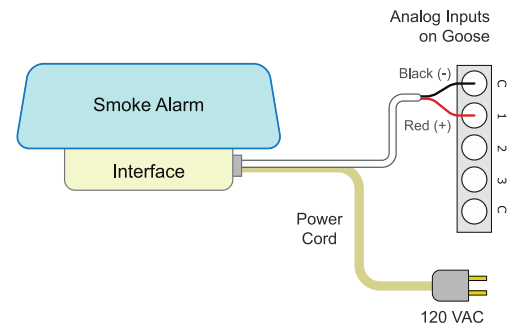
The Goose interface allows you to configure alarms and get alerts through email or SNMP trap if smoke is detected.



*A Goose climate monitor is wired via interface box to a group of smoke alarms. If smoke is detected, all sensors and the Goose are alerted.*



*The Smoke Alarm kit contains all the parts to get smoke detection up and running fast. A 5-15 power plug connector is standard.*



*The supplied wiring makes installation easy. Plug the cord into the wall plug; attach the output wires to the Goose. Test the installation by pressing the "Test" button on the sensor.*

### Sensor Details

#### Specifications

- Smoke Alarm: Kidde 1275 (or equivalent)
- Dry-contact type sensor
- Power: 120VAC with 9VDC battery backup
- Power cable: 20' with 5-15 plug
- Signal wire: 30', 2-conductor
- Warranty: 1 year (extended warranties available)

#### Compatibility

- Works with all climate/power monitors with analog ports
- Compatible with CCAT Analog-to-Digital Interface

**Model Number: SA-1**

