

SWM EXTENSION

LA141R LINE AMPLIFIER

SITUATION

The output of a Single Wire Multi-switch is split to multiple rooms or apartments and the receiver signal levels are low at distant locations.

SOLUTION

Model LA141R boosts cable and DBS signal levels offsetting the loss of 150 feet of RG-6 while passing data modem and receiver control signals from the receiver to the switch.

RELATED CONSIDERATIONS

This product is a universal coaxial amplifier. The amps works with ATSC, CATV, DBS & MFH2. Includes passive 2 to 40 MHz sub-band return.

Model LA141R-T12 includes model PS12200 12 volt power supply. Model LA141R-T24 includes model PS242000 24 volt power supply.

FEATURES

- *Wide bandwidth*..... 54 to 3500 MHz forward
..... 2 to 40 MHz return
- *High Input Ability*..... -18 dBm (8) channels
- *Indoor / Outdoor case*..... die cast aluminum
- *Multiple power options*..... line or external DC

APPLICATION NOTES

Model LA141R extends SWM drop distances while passing the 2 MHz control signals. The SL5S LNB and LA141R are powered via the PI-28 power inserter.

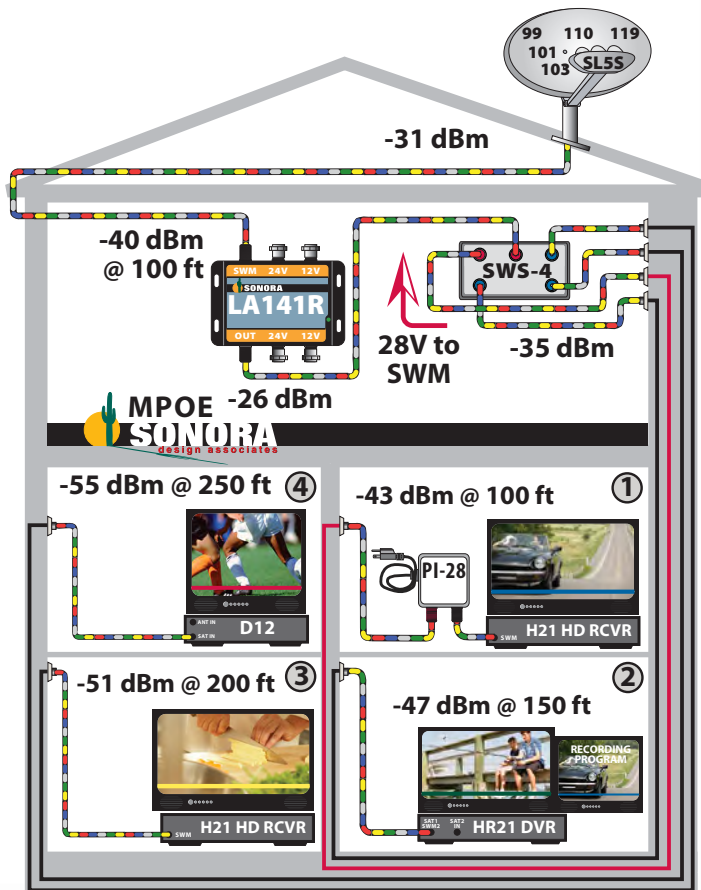
SL5S switches include automatic gain control for a constant -31 dBm output. The maximum recommended dish to receiver distance for a SL5S and SWS-4 is 200 feet of RG-6 without a LA141R line extender.

With the LA141R in place, room (4) @ 350 feet from the dish has an acceptable signal level of -55 dBm.



DESCRIPTION

Indoor / Outdoor 54 to 3500 MHz DBS line powered amplifier with forward gain and sub-band 2 to 40 MHz passive or active return.



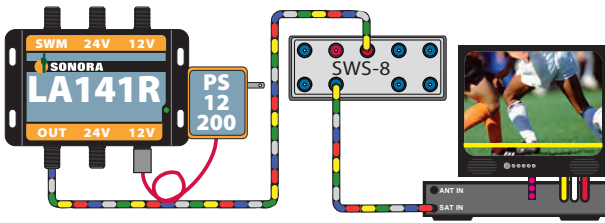
Order From:



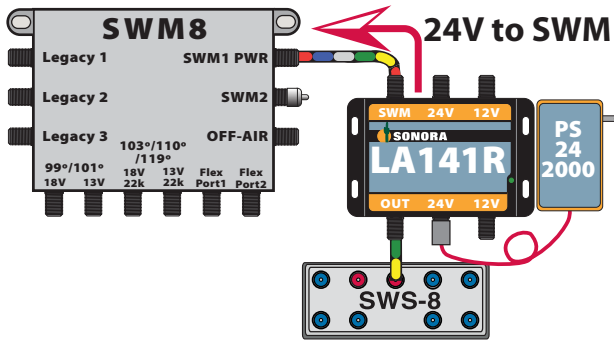
Toll Free: 800-423-2594
www.multicominc.com
multicom@multicominc.com

SWITCH EXTENSION

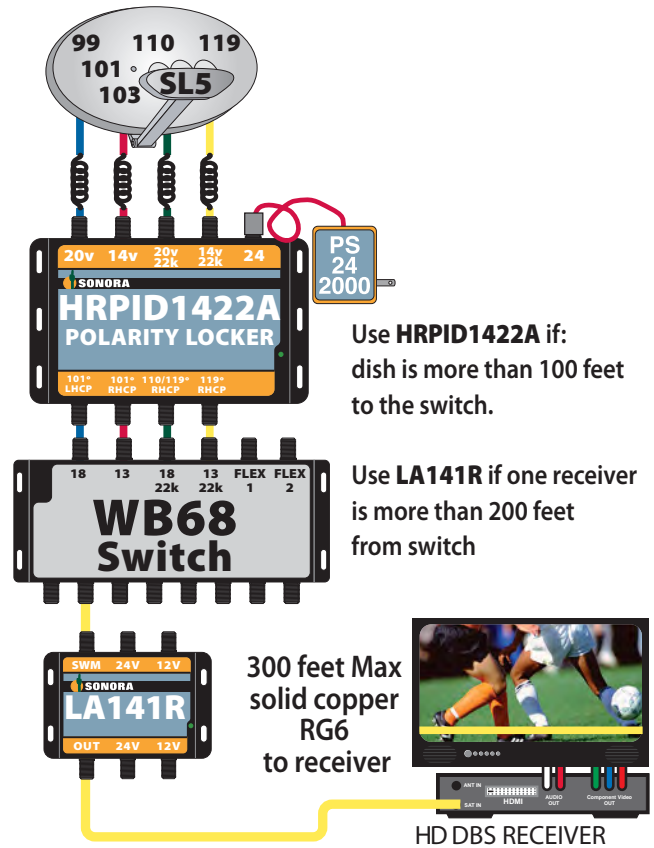
LA141R LINE AMPLIFIER



Model LA141R-T12 includes model PS12200 for external powering. Connecting model PS12200 to the 12 VDC port of the LA141R powers the amplifier but does not pass the DC to the input port.



Model LA141R-T24 powers both the LA141R and SWM8 switch. Power passes thru the LA141R to the SWM1 PWR port.



Use HRPID1422A if: dish is more than 100 feet to the switch.

Use LA141R if one receiver is more than 200 feet from switch

300 feet Max solid copper RG6 to receiver

HD DBS RECEIVER

SPECIFICATIONS

Specifications..... Typical QC Limit

Gain

2 to 40 MHz	-1 dB	-4 dB
54 to 860 MHz	9 dB	8 dB
950 to 1450 MHz	12 dB	11 dB
1450 to 2150 MHz	13 dB	12 dB
2150 to 3500 MHz	14 dB	13 dB

Maximum Output (67 equal transponders)-6 dBm

Maximum Output Power

IM2 with 2 tones @ 1 dBm	-32 dBc	-35 dBc min
IM3 with 2 Tones @ 1 dbm	-53 dBc	-50 dBc min

Pass band Flatness

Any 24 MHz band	0.1 dB	0.2 dB
Input Return Loss	12 dB	9 dB
Output Return Loss	13 dB	10 dB
Noise Figure	6 dB	7 dB

Power Specifications

Voltage	10 to 29 VDC
Current	70 mA / channel
Model LA141R-T12 transformer	12 V 200 mA
Model LA141R-T24 transformer	24 V 2 Amp

DIRECTV® recommends the distance from receiver and dish be less than 150 feet. At distances greater than 150 feet they recommend a DC voltage booster and a line amplifier.

Model HRPID1422A is a DC booster. Model LA141R provides amplification of the switched DBS signals extending the range by 150 feet of RG6.

Mechanical Specifications

Dimensions	4" x 3.5" x 7/8"
NO Supply
Weight	0.5 lb (0.2 kg)
Master Carton QTY	(44 units)
Master Carton Size	11" x 9" x 9"
Master Carton Weight	21 lb. (9.5 kg)
	-T12 with 12V -T24 with 24V
Weight	0.9 lb (0.4 kg) 0.5 lb (0.2 kg)
Master Carton QTY	(24 units) (18 units)
Master Carton Size	10" x 16.5" x 11" 12" x 12" x 11.5"
Master Carton Weight	21.5 lb (9.8 kg) 21 lb. (9.5 kg)

Environmental Specifications

Operating Environment:.....Indoor/Outdoor
Ambient Temperature-30° C to +70° C

Toll Free: 800-423-2594
www.multicominc.com
multicom@multicominc.com

Order From:

