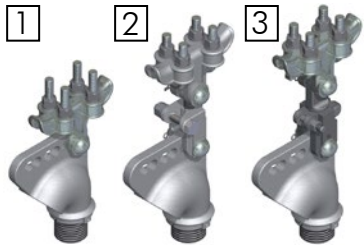


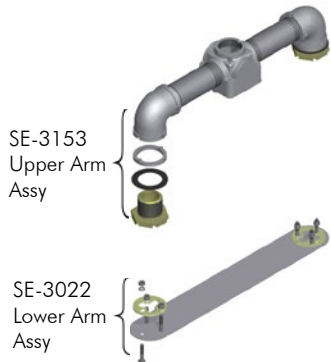
Iron 2-Way, 3-Way & 4-Way Span Wire Hanger Assemblies

Pelco's Span Wire mountings are available in aluminum or iron with 1-1/2" or tri-stud fittings. Balance adjusters provide additional adjustment capabilities, while tether assemblies may be used to anchor the bottom of signals in windy applications.



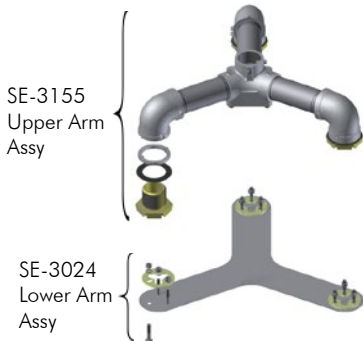
- 1. SE-3070 - Coating
- 2. SE-3273 -
- 3. SE-3275 - P__=Paint

Span Wire Hanger Assy, 1-1/2" NPS
Span Wire Hanger Assy, 1-1/2" NPS Balance Adjuster
Span Wire Hanger Assy, 1-1/2" NPS PAL Balance Adjuster



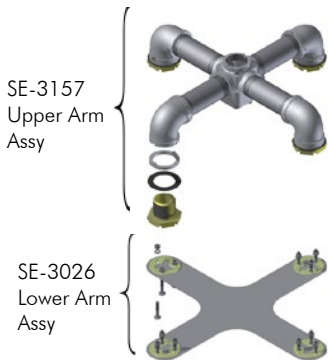
Upper & Lower Arm Assy, 2-Way 16-1/2" CTC

- SE-3154 - Coating
- P__=Paint



Upper & Lower Arm Assy, 3-Way 16-1/2" CTC

- SE-3156 - Coating
- P__=Paint



Upper & Lower Arm Assy, 4-Way 16-1/2" CTC

- SE-3158 - Coating
- P__=Paint

Note: 1. All assemblies are supplied standard with stainless steel fasteners and galvanized hardware on span wire clamps. Stainless upgrade to include stainless hardware and stainless slotted washer where applicable.
 2. See Reference Section for available paint colors.

FREE-SWINGING

