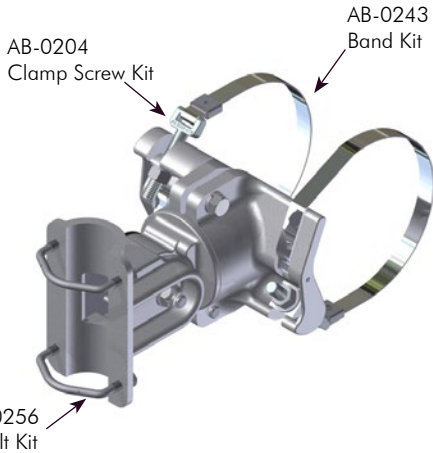


Atlas Series Clamp Kits

These aluminum serrated articulating clamp kits were specifically designed to accommodate larger conduit. The 3 axis adjustability provides complete clamping versatility. They feature stainless steel bands or high strength galvanized or stainless steel aircraft cable. Supplied complete with all necessary attaching hardware.



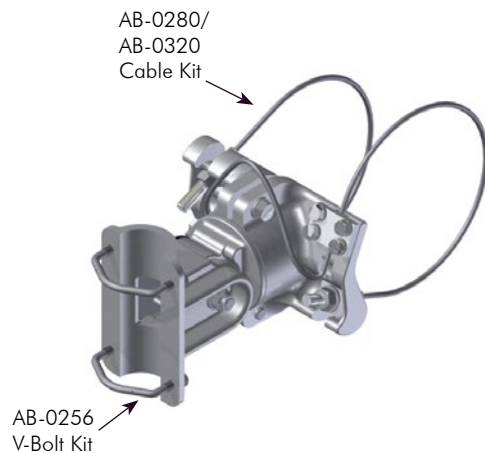
Astro-Brac



Astro-Brac, Atlas Series Clamp Kit, Articulated Serrated Band Mount

AS-3029 - -
 Band Length Coating
 See Note PNC=Process No Color
 P__=Paint

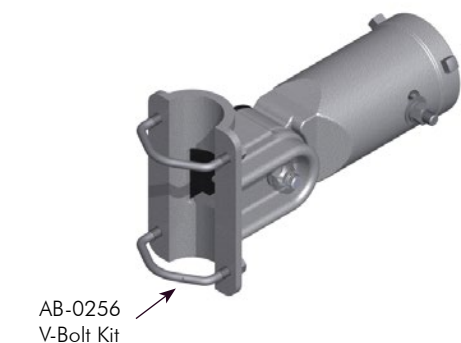
Note:
 Band Length: 29", 36", 42", 48", 56", 72", 84", 96", or 114".
 Stainless steel upgrade available: includes stainless clamp screw.
 Specify by including -SS in the part number, i.e., AS-3029-29-SS-PNC.



Astro-Brac, Atlas Series Clamp Kit, Articulated Serrated Cable Mount

AS-3026 - -
 Cable Length Coating
 See Note PNC=Process No Color
 P__=Paint

Note:
 Cable Length: 62", 84", 96", 110", 120", 132", 144", 220", or 280".
 Stainless steel upgrade available: includes stainless cable.
 Specify by including -SS in the part number, i.e., AB-3026-62-SS-PNC.



Astro-Brac, Atlas Series Clamp Kit, Articulated Serrated Tenon Mount

AB-3051 -
 Coating
 PNC=Process No Color
 P__=Paint

Note: 1. All assemblies are supplied standard with stainless steel fasteners.
 2. See Reference Section for clamp kit pole diameters.
 3. See Reference Section for available paint colors.