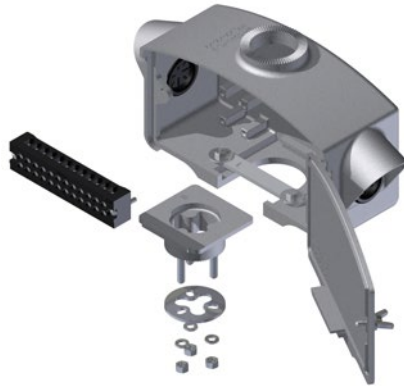




**Disconnect Hanger Assy,  
12 Circuit w/ 4' Harness &  
2" Non-Threaded Top, Alum**

APL Certification #659-004-018

SP-1021-FL -1 -  Coating  
PNC=Process No Color  
P\_\_=Paint



**Disconnect Hanger Assy,  
12 Circuit Terminal Block &  
2" Non-Threaded Top, Alum**

APL Certification #659-004-018

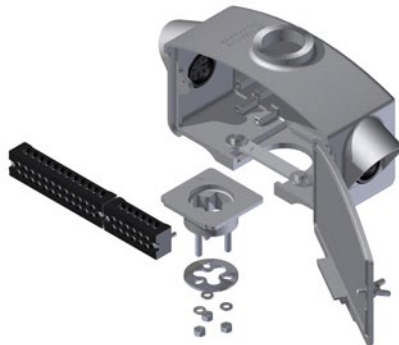
SP-1021-FL -2 -  Coating  
PNC=Process No Color  
P\_\_=Paint



**Disconnect Hanger Assy,  
18 Circuit w/ 4' Harness &  
2" Non-Threaded Top, Alum**

APL Certification #659-004-019

SP-1022-FL - 1  Coating  
PNC=Process No Color  
P\_\_=Paint



**Disconnect Hanger Assy,  
18 Circuit w/ Terminal Block &  
2" Non-Threaded Top, Alum**

APL Certification #659-004-019

SP-1022-FL - 2  Coating  
PNC=Process No Color  
P\_\_=Paint

Note: 1. All assemblies are supplied standard with stainless steel fasteners, slotted washers, and cables where applicable.  
2. See page ii for available paint colors.