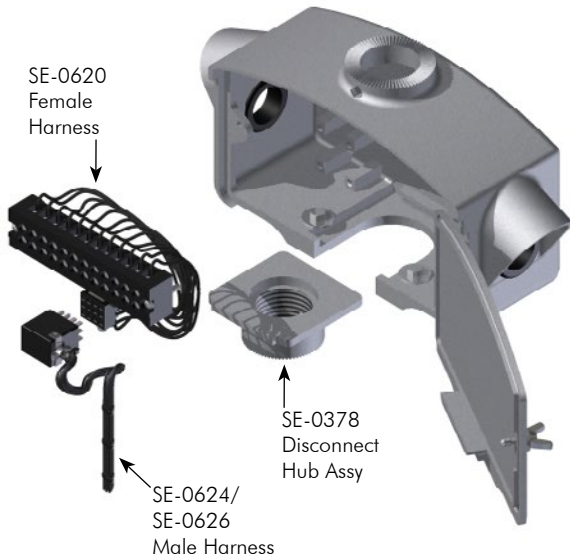


12 Circuit Disconnect Hanger Assemblies

Pelco's Disconnect Hangers are available in 12-circuit and 18-circuit with 1-1/2" threaded or slip top and 1-1/2" threaded or tri-stud bottom hubs.



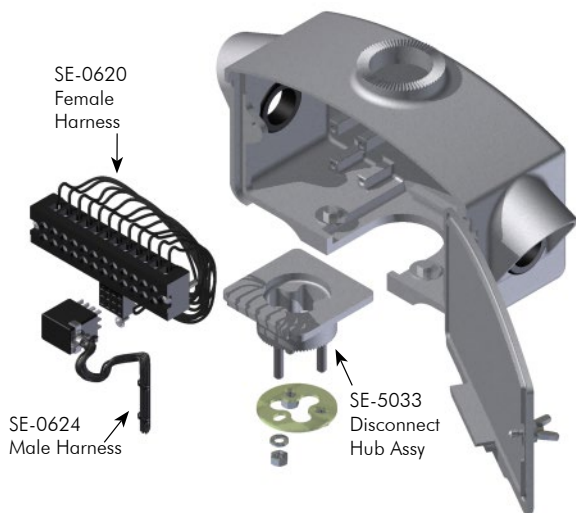
Disconnect Hanger, 12-Circuit 1-1/2" NPS Top & Bottom Hub w/ 4' Harness

SE-3073 - Coating
PNC=Process No Color
P__=Paint

Disconnect Hanger, 12-Circuit 1-1/2" NPS Top & Bottom Hub w/ 7' Harness

SE-3195 - Coating
PNC=Process No Color
P__=Paint

Disconnect Hanger, 12-Circuit 2" Slip Top & Tri-Stud Bottom Hub w/ 4' Harness



SE-5031 - Coating
PNC=Process No Color
P__=Paint

- Note: 1. All harnesses come with 18 AWG wire pre-tinned and numbered on 3" centers.
2. All assemblies are supplied standard with stainless steel fasteners.
3. See Reference Section for available paint colors.

FREE-SWINGING

