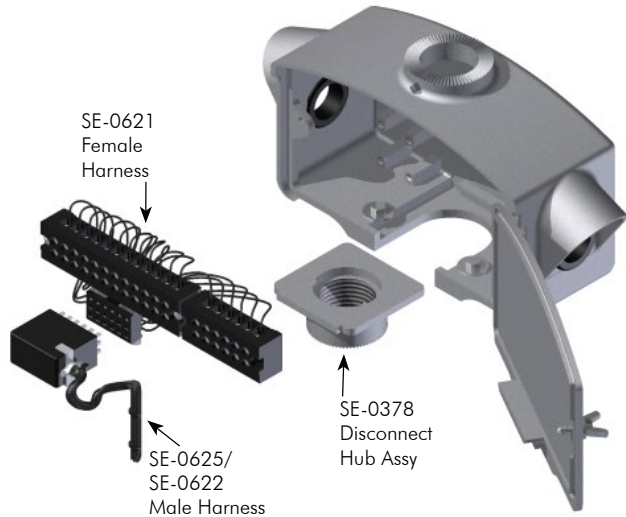


18 Circuit Disconnect Hanger Assemblies

Pelco's Disconnect Hangers are available in 12-circuit and 18-circuit with 1-1/2" threaded or slip top and 1-1/2" threaded or tri-stud bottom hubs.



FREE-SWINGING

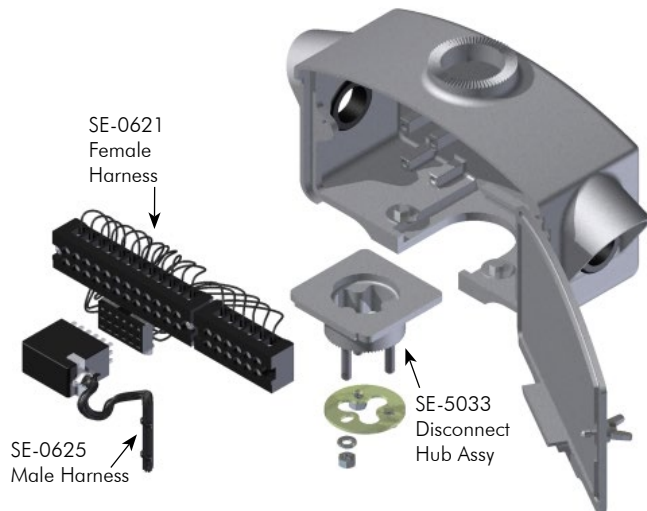


Disconnect Hanger, 18-Circuit 1-1/2" NPS Top & Bottom Hub w/ 4' Harness

SE-3077 - Coating
 PNC=Process No Color
 P__=Paint

Disconnect Hanger, 18-Circuit 1-1/2" NPS Top & Bottom Hub w/ 7' Harness

SE-3196 - Coating
 PNC=Process No Color
 P__=Paint



Disconnect Hanger, 18-Circuit 2" Slip Top & Tri-Stud Bottom Hub w/ 4' Harness

SE-5032 - Coating
 PNC=Process No Color
 P__=Paint

- Note: 1. All harnesses come with 18 AWG wire pre-tinned and numbered on 3" centers.
 2. All assemblies are supplied standard with stainless steel fasteners.
 3. See Reference Section for available paint colors.