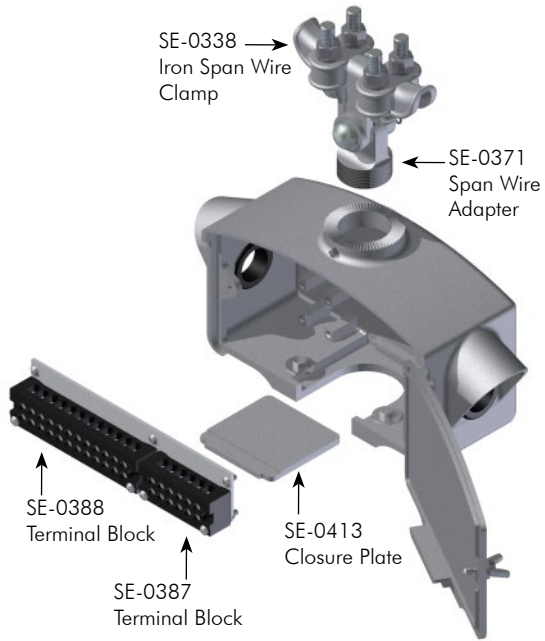


Span Wire Terminal Compartment

Pelco's Disconnect Hangers are available in 12-circuit and 18-circuit with 1-1/2" threaded or slip top and 1-1/2" threaded or tri-stud bottom hubs.



Span Wire Terminal Compartment, 18-Circuit w/ Hanger Assembly

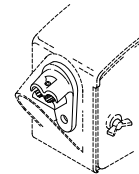
SE-3092 - Coating
 PNC=Process No Color
 P__=Paint

Note:
 Stainless bushing and/or stainless upgrade available.
 Specify by including -SB and/or -SS in the part number, i.e., SE-3092-SB-SS-PNC.

Cable Clamp Kit, 2-Cable, Alum



SE-4201 - Coating
 PNC=Process No Color
 P__=Paint



Note:
 Stainless bushing and/or stainless upgrade available.
 Specify by including -SB and/or -SS in the part number, i.e., SE-4201-SB-SS-PNC.

- Note: 1. All assemblies are supplied standard with stainless steel fasteners and galvanized hardware on span wire clamps.
 2. Stainless steel upgrade available: includes stainless steel hardware on span wire clamps.
 3. See Reference Section for available paint colors.

FREE-SWINGING

