

Aluminum 1-Way Side-of-Pole with Cast Nipples

Pelco's Side-of-Pole assemblies are designed to mount traffic and pedestrian signals on the side of traffic signal poles with an upper and lower arm. Available in aluminum or iron, and 1-1/2" NPS, tri-bolt, or tri-stud, and a vast array of hubs to accommodate both 1-way or 2-way signal configurations.



SE-3000-L
Upper Arm Assy

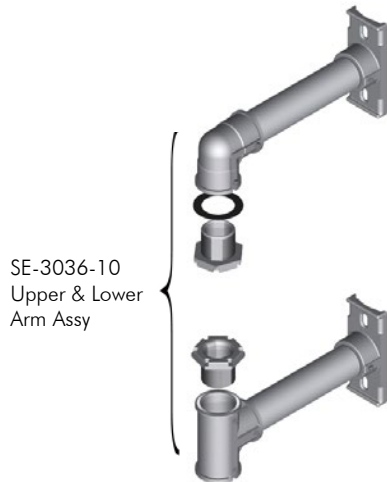


SE-3001-L
Lower Arm Assy

1-Way Upper & Lower Arm Assy, Alum Nipples, Alum

SE-3036	-	<input type="text"/>	-	<input type="text"/>
		Nipple Length		Coating
		06=6"		PNC=Process No Color
		08=8"		P__=Paint
		10=10"		
		12=12"		
		14=14"		

Note:
See Components Section T14 for choice of hub plates.



SE-3036-10
Upper & Lower
Arm Assy

1-Way Upper & Lower Arm Assy, 10" Nipples, Universal Hub Plates, Alum

SE-3215	-	<input type="text"/>
		Coating
		PNC=Process No Color
		P__=Paint



SE-3036-10
Upper & Lower
Arm Assy

1-Way Upper & Lower Arm Assy, 10" Nipples, Large Pole Hub Plates, Alum

SE-3148	-	<input type="text"/>
		Coating
		PNC=Process No Color
		P__=Paint

Note: 1. All assemblies are supplied standard with stainless steel fasteners.
2. See Reference Section for available paint colors.