

This product has been manufactured in a fully shielded zamak enclosure and the gain can be selected on site.

This amplifier finds its main application as a line extender in small CATV networks.

IMPORTANT SAFETY INSTRUCTIONS

- Read these instructions.
- Keep these instructions.
- Heed all warnings.
- Follow all instructions.
- Do not use this apparatus near water.
- Clean only with a damp cloth.
- Do not block any of the ventilation openings. Install in accordance with the manufacturers instructions.
- Do not install near any heat sources such as radiators, heat registers, stoves, or other apparatus(including amplifiers) that produce heat.
- Do not defeat the safety purpose of the polarized or grounding-type plug. A polarized plug has two blades with one wider than the other. A grounding type plug has two blades and a third grounding prong. The wide blade or the third prong are provided for your safety. When the provided plug does not fit into your outlet, consult an electrician for replacement of the obsolete outlet.
- Protect the power cord from being walked on or pinched particularly at plugs, convenience receptacles, and the point where they exit from the apparatus.
- Only use attachments/accessories specified by the manufacturer.
- Use only with a cart, stand, tripod, bracket, or table specified by the manufacturer, or sold with the apparatus. When a cart is used,

Technical specifications		
Forward path		
Frequency range	(MHz)	54 - 860
Attenuator	(dB)	0 - 20
Cable equaliser	(dB)	0 - 20
System equaliser	(dB)	0 - 20
Gain	(dB)	44 (1)
Max.output level	(DIN 45004B) (dBμV)	> 118 (121 typ)
2nd order distortion	(dB)	> 60 (2)
Maximum output level	(dBμV)	104 (3)
Noise figure	(dB)	< 8
In-Out return losses	(dB)	14 typ. (12 min.)
Flatness	(dB)	± 1 typ. (2 max.)
Return path		
Frequency range	(MHz)	5 - 42
Attenuator	(dB)	0 - 20
Gain	(dB)	12
Flatness	(dB)	± 1
In-Out return losses	(dB)	14
General		
Mains voltage	(V~)	120 - 230 ±10%
Max. power consumption.	(W)	33
Max. AC current bypass	(A)	2 ~
Power consumption	(mA)	430 (24Vdc)
Max. No. of amplifiers to be powered		1 (430 mA)

(1) With plug-in module amplifier. 26 dB without amplifier.

(2) 110 dBμV, 113 typ.

(3) 42 TV CH CENELEC

use caution when moving the cart/apparatus combination to avoid injury from tip-over.

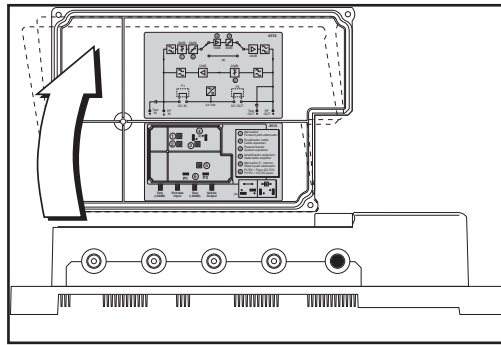
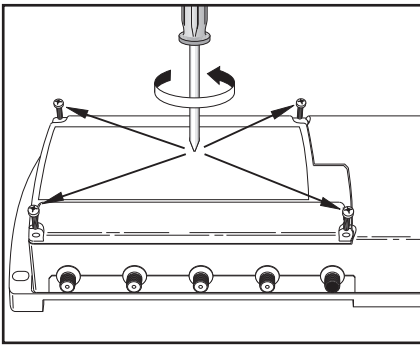
- Unplug this apparatus during lightning storms or when unused for long periods of time.
- Refer all servicing to qualified service personnel. Servicing is required when the apparatus has been damaged in any way, such as power-supply cord or plug is damaged, liquid has been spilled or objects have fallen into the apparatus, the apparatus has been exposed to rain or moisture, does not operate normally, or has been dropped.
- The appliance coupler and power card plug shall remain readily operable.

Warning

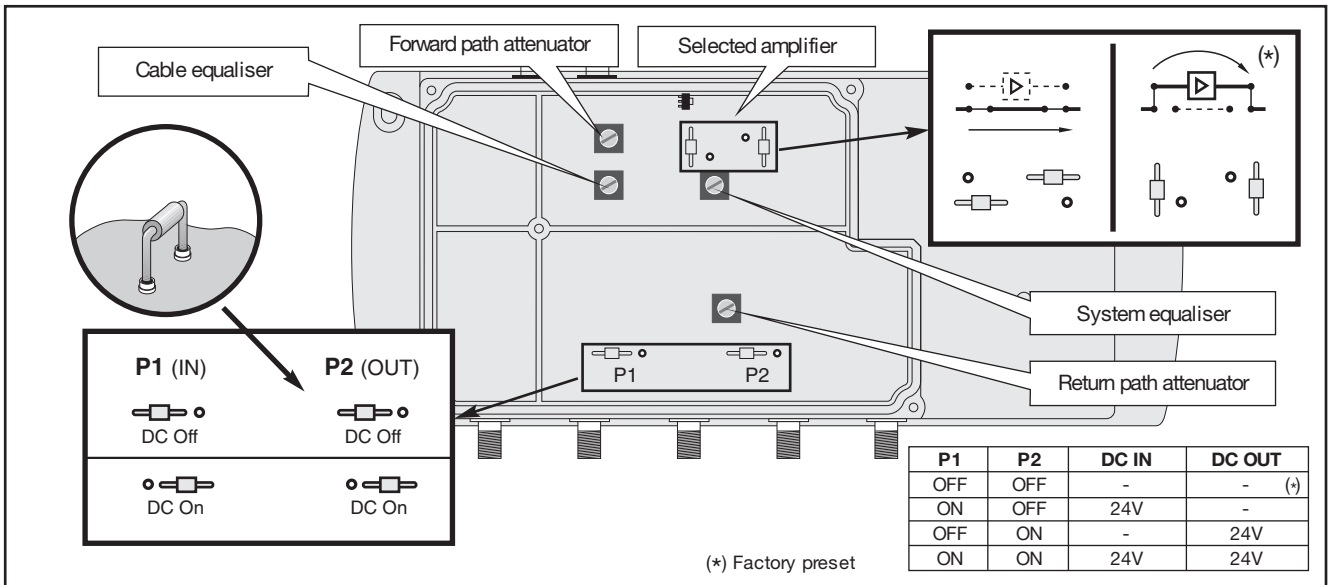
- Reduce the risk of fire or electric shock, do not expose this apparatus to rain or moisture.
- Apparatus shall not be exposed to dripping or splashing and no objects filled with liquids, such as vases, shall be placed on the apparatus.

Safe operation

- Power requirements for this product are 120-230V~ ±10% 50/60 Hz.
- Should any liquid or object fall into the equipment, please refer to qualified personnel for service.
- To disconnect the equipment from the mains pull the plug never the cable.



Below the front cover please find block diagram of the amplifier as well as the configuration instructions.



Typical application

