



# Clamps

## Aerial Cable, Messenger, Corner Attachment



### Features

- Corner attachment clamps are used for angles of 35° to 60°
- Accommodates 5/8" diameter pole mounting bolt
- The inner pole mounting surface is curved with integral spurs for contact stability with the pole
- The integral thimble eyes will accept deadending devices up to 1/2" diameter

### Material

Ductile iron hot dip galvanized

Catalog Number	Eye Center Spacing	Clamp Length	Weight /100 (lbs)
P294	2 1/2"	6	209

## Aerial Cable, Messenger, Midspan

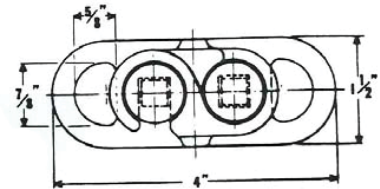
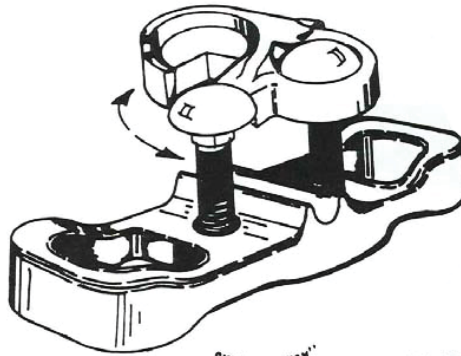
### Features

- MSD-4 has a "swing away" keeper for easy installation

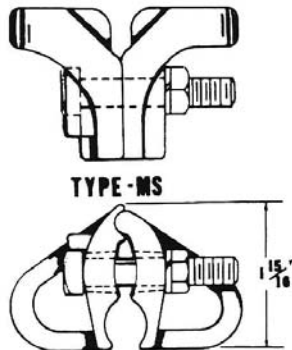
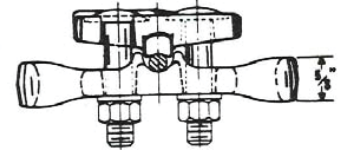
### Material

Body and keeper:  
Hardware:

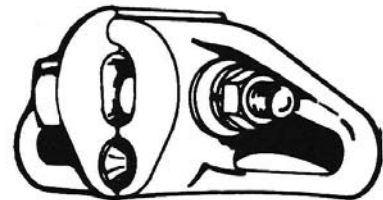
Aluminum alloy  
Steel hot dip galvanized



TYPE-MSD



TYPE-MS



Catalog Number	Mounting Bolts	Cable Diameter	Weight /100 (lbs)
MSD-4	3/8"	0.23 - 0.42"	52
MS-6	3/8"	0.39 - 0.57"	50